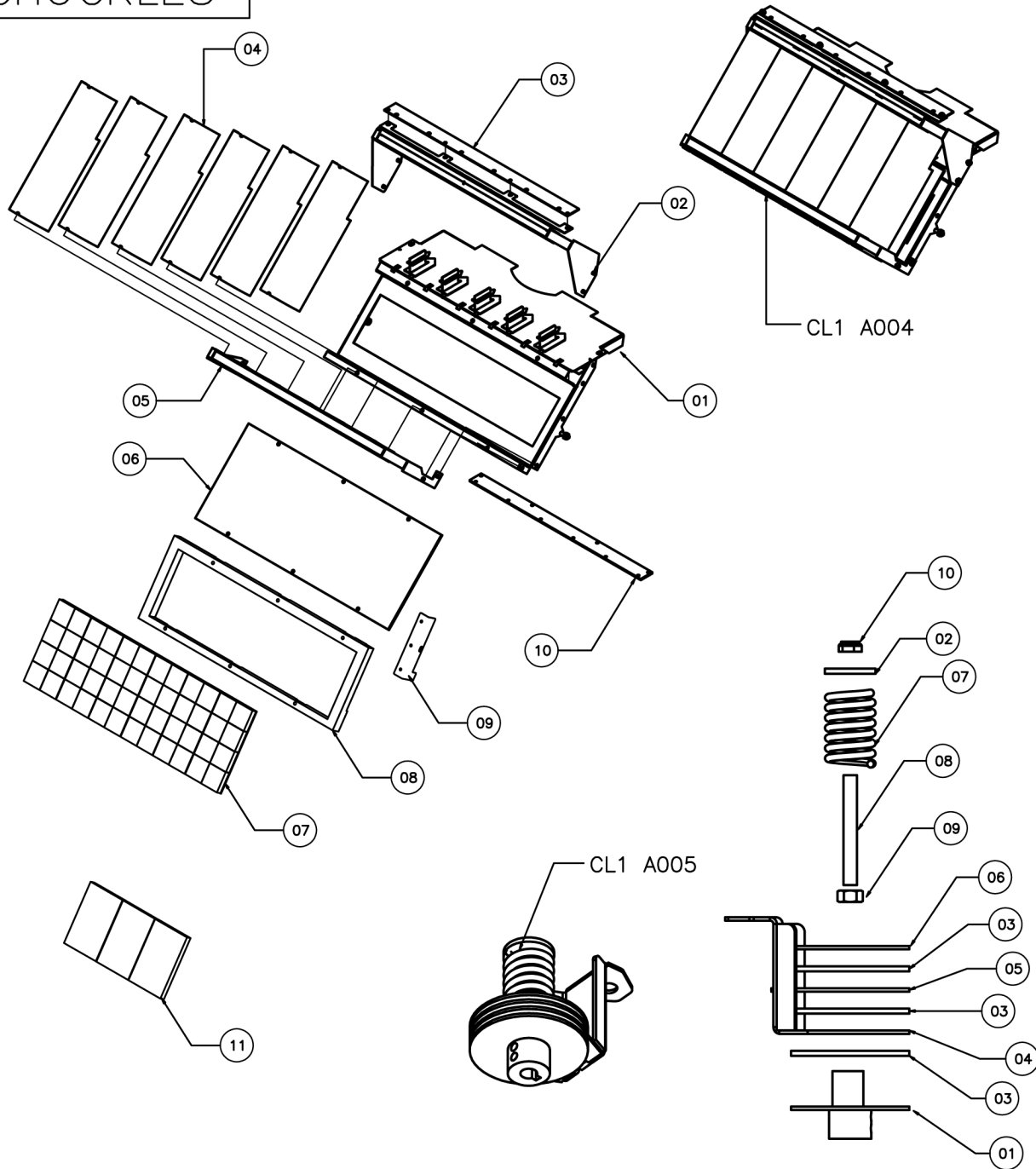


CHUCKLES



NO	PART NO	DESCRIPTION	QTY	
01	CL1 A004	FRONT PANEL ASSY	1	
PART ITEM	01	CL1-SA-06-R2	BALL WAY BRACKET	1
	02	CL1-SA-07-R0	TOP TUBE & SENSOR BRACKET	1
	03	BAFB84A-B	PCB SCORE SENSOR R	1
	04	CL1-FP-02-R2	BALL LINE TUBE	6
	05	CL1-FM-038-R0	TUBE BOT BRACKET	1
	06	CL1-FP-03-R0	BALL DOWN LIGHT COVER	1
	07	BAFB100	PCB DISPLAY	3
	08	CL1-FW-14-R0	LED PCB BASE	1
	09	CL1-FM-039-R0	LED BASE LOCKER	1
	10	BAFB84A-B	PCB SCORE SENSOR L	1
	11	BAFB74	PCB DISPLAY 3 DIGIT	1
02	CL1 A005	COUPLING ASSY	1	
PART ITEM	01	CL1-SA-08-R1	COUPLING FIX2	1
	02	CL1-FM-070-R0	SPACER	1
	03	CL1-FP-015-R1	COUPLING PAD	3
	04	CL1-FM-018-R4	COUPLING ARM 2	1
	05	CL1-FM-071-R0	COUPLING ARM 2-2	1
	06	CL1-FM-07-R0	COUPLING FIX 2-2	1
	07	HM 3201	COMPRESS SPRING 3	1
	08	HM1420	SCREW M8X70	1
	09	HF1008	NUT M8 TYPE 8	1
	10	HF1018	LOCK NUT M8	1