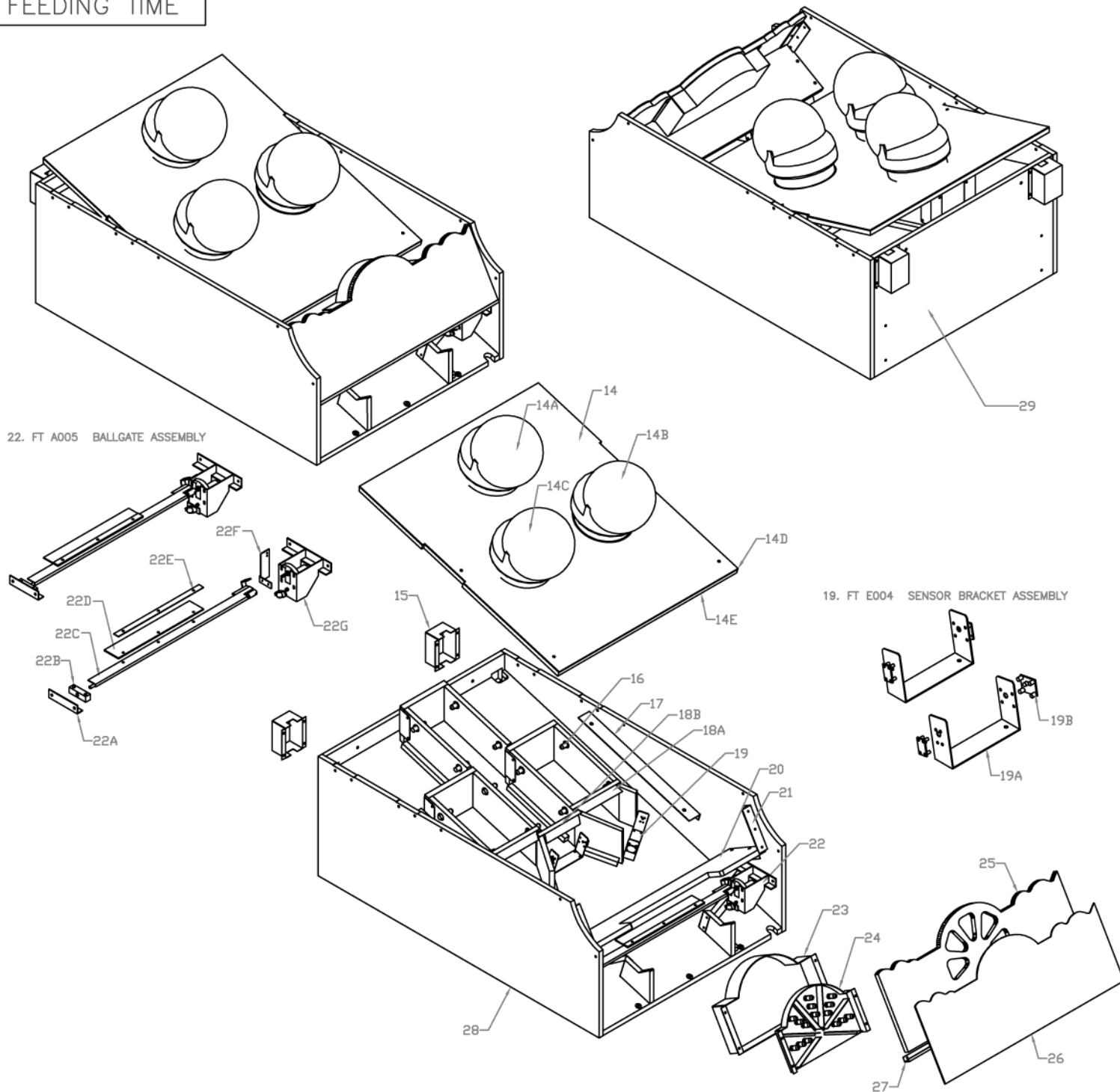


FEEDING TIME



NO	CODE	DESCRIPTION	QTY
14	FT A003	LOWER TARGET ASSEMBLY	1
14A	HM2523	FIBER GLASS MOULDING "PAUS"	1
14B	HM2521	FIBER GLASS MOULDING "BUAYA"	1
14C	HM2522	FIBER GLASS MOULDING "KUDA NIL"	1
14D	FT1-FP-008-R1	ANIMAL BASE ACRILIC LOWER	1
14E	FT1-FW-019-R2	ANIMAL BASE PANEL LOWER	1
15	FT1-FM-029-R1	WIRE BOX COVER	2
16	EA0232	LAMP SC BAYONET GE 89 13v 0.58A WITH HOLDER	6
17	FT1-FM-025-R1	SUPPORT BASE BRACKET	2
18	-	DIRECTOR BOARD BRACKET	-
18A	FT1-FM-052-R2	DIRECTOR BOARD BRACKET SIDE	1R,1L
18B	FT1-FM-045-R2	DIRECTOR BOARD BRACKET MIDDLE	1
19	FT E004	SENSOR BRACKET ASSEMBLY	3
19A	FT1-FM-022-R1	SENSOR BRACKET LOWER	3
19B	BAFB84a-b	PCB FB84a-b SENSOR BALL Rev-1	3
20	FT1-FW-028-R1	BALL GATE COVER	1
21	FT1-FM-035-R0	TIMER BASE BRACKET	2
22	FT A005	BALL GATE ASSEMBLY	1
22A	FT1-FM-007-R0	FITTING RIGHT	1
22B	FT1-FM-008-R0	GATE BLOCK	1
22C	FT1-SA-008-R1	BALL GATE PLATE	1
22D	FT1-FP-007-R1	BALLGATE RUBBER	1
22E	FT1-FM-010-R1	RUBBER CLAMP	1
22F	FT1-FM-057-R0	MICRO SENSOR BRACKET	1
22G	FT A005a	BRACKET MOTOR ASSEMBLY	1
-	FT1-SA-006-R1	MOTOR HOLDER METAL ONLY	1
-	EAD405	SWITCH MICRO ROLLER OMRON P/N. V-156-1A5-15A	1
-	EA1158	MOTOR MODEL; 8000 DC 12V 16 RPM	1
23	FT1-FM-012-R0	WIRING COVER FRONT	1
24	FT E005	FRONT DISPLAY ASSEMBLY	1
24A	FT1-SA-011-R0	BRACKET LIGHT METAL ONLY	1
24B	EAD222	LAMP WEDGE GE906 12v 8~10w	15
24C	EAD226	LAMP HOLDER WB 2300 CRIMP PIN	15
25	FT1-FW-018-R0	TIMER BASE PANEL	1
26	AT3418	ACRILIC TIMER ARTWORK	1
27	FT1-FM-026-R1	ACRILIC TIMER BRACKET	1
28	FT A005	SIDE PANEL BACK WITH STICKER	1
28A	AT3422	STICKER LEFT SIDE B PLAYFIELD	1
28B	AT3423	STICKER RIGHT SIDE B PLAYFIELD	1
-	FT H005	MAIN HARNESS BACK CABINET	1
29	FT1-FW-024-R1	BACK PANEL LOWER	1