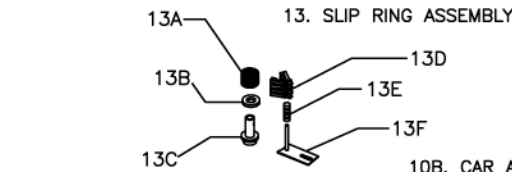
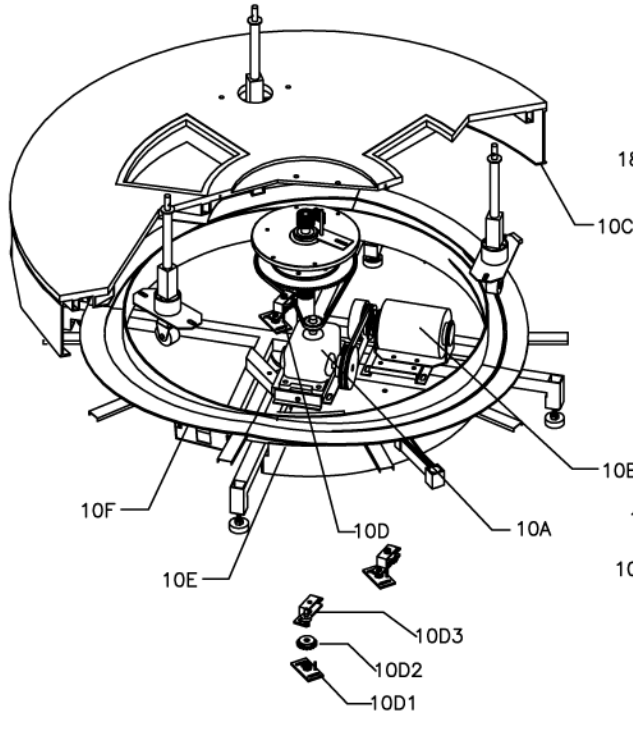
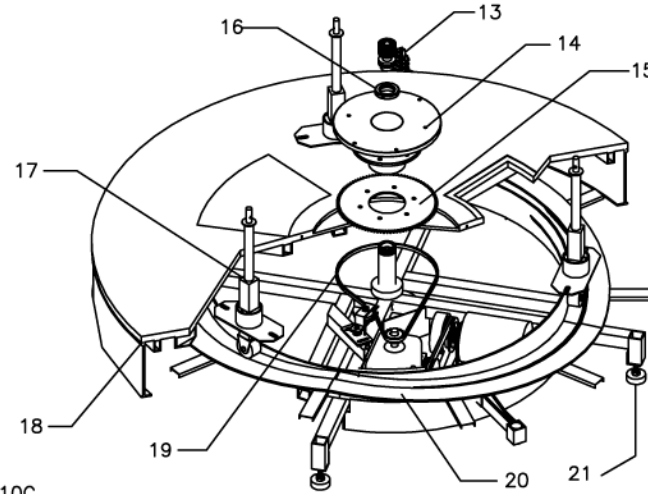
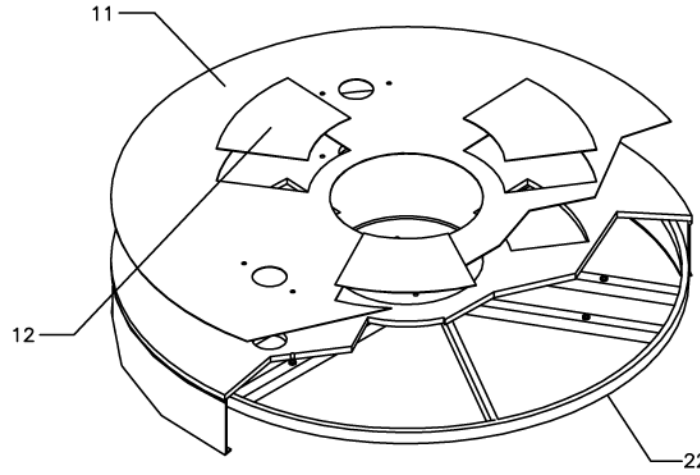
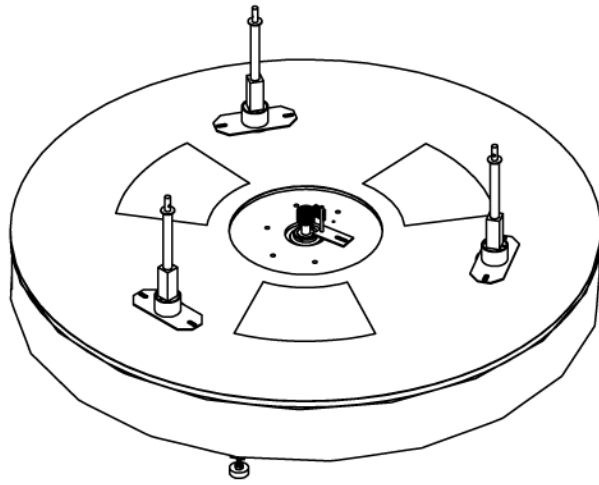
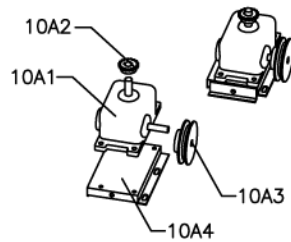


CAROUSEL

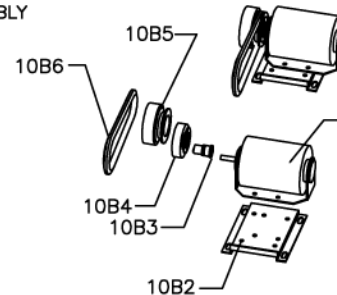
10. CAR A003 BASE ASSEMBLY



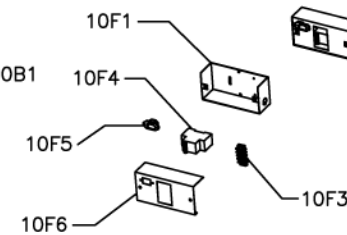
10A. CAR A003A GEAR BOX ASSEMBLY



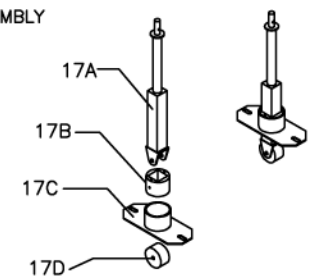
10B. CAR A005B MOTOR ASSEMBLY WITH V BELT



10F. CAR E003 MCB BOX ASSEMBLY



17. CAR A005 HORSIND SHAFT ASSY



NO	CODE	DESCRIPTION	QTY		
10	CAR A003	BASE ASSEMBLY	1		
PART ITEM	10A	CAR A003A	GEAR BOX ASSEMBLY	1	
	10A1	EA1185	GEAR BOX	1	
	10A2	CAR-FM-013-RO	SPROCKET GEAR BOX	1	
		OPTIONAL			
	10A3	HM2955	PULLY GEAR BOX 3.5"	1	
		HM2967	PULLY GEAR BOX 4"	1	
	10A4	CAR-SA-004-RO	BRACKET GEAR BOX	1	
	10B	CAR A003B	MOTOR ASSEMBLY WITH V BELT	1	
	SUB	10B1	EA1180	DAYTON MOTOR 6KG 65K 115V/230V	1
		10B2	CAR-SA-003-R1	BRACKET MOTOR	1
		10B3	CAR-FM-041-RO	ADAPTER SHAFT	1
		10B4	HM2966	KOPLUNG SHOGUN TYPE: SOFT CLUTCH ASSY	1
		10B5	CAR-FM-008-RO	PULLY MOTOR	1
		OPTIONAL			
10B6		HM2956	V BELT B 31	1	
10B6		HM2968	V BELT B 28	1	
10C	HM2307	FIBER GLASS BASE	1		
10D	CAR A003C	TENSIONER ASSEMBLY	1		
SUB	10D1	CAR-SA-008-RO	PLATE STRIP	1	
	10D2	HM2953	SPROCKET TENSIONER	1	
	10D3	CAR-SA-009-RO	STATIONER UPPER	1	
10E	CAR A003D	BASE FRAME	1		
SUB	10E1	CAR-SA-001-R2	BASE FRAME METAL ONLY	1	
	10E2	CAR-FP-004-RO	RUBBER MOUNTING	3	
	10E3	CAR-FP-001-RO	ROLLER CAROUSEL	2	
	10F	CAR E003	MCB BOX ASSEMBLY	1	
	SUB	10F1	CAR-SA-015-RO	MCB BOX METAL ONLY	1
		10F2	HM0075	ALUMINIUM RAIL FOR MCB	1
10F3		EA0614	TERMINAL BLOCK 4 POLES 44"	1	
10F4		EA1367	UMELA 2P 10A MCB	1	
10F5		EA0642	SOCKET AC 3 MALE	1	
10F6		CAR-FM-016-RO	MCB COVER METAL ONLY	1	
-		CAR H005	MAIN HARNESS	1	
11		CAR-FM-005-RO	PLATE BORDES	1R,1L	
12	CAR-FM-019-RO	BORDES COVER	3		
13	CAR A004	SLIP RING ASSEMBLY	1		
PART ITEM	13A	HA2701	4 WAY SLIP RING	1	
	13B	CAR-FP-002-R1	RING NYLON DIA 50X8 mm	1	
	13A	CAR-FM-017-RO	SLIP RING SHAFT	1	
	13D	HA2702	BRUSH GEAR PIN 30.04.000 FOR HA2701	1	
	13E	CAR-FP-006-RO	UPPER RING NYLON BRUSH DIA 18X8 mm	4	
	13E	CAR-FP-007-RO	LOWER RING NYLON BRUSH DIA 18X9 mm	4	
13F	CAR-SA-020-RO	SLIP RING PLATE ASSEMBLY	1		
14	CAR-SA-002-RO	BUSHING ASSEMBLY INCLUDE BEARING	1		
15	CAR-FM-012-RO	FOLLOWER SPROCKET	1		
16	CAR-FM-018-RO	NUT CUP	1		
17	CAR A005	HORSIND SHAFT ASSEMBLY	1		
PART ITEM	17A	CAR-SA-022-RO	HORSIND SHAFT METAL ONLY	3	
	17B	CAR-FP-003-RO	SLIDING NYLON	3	
	17C	CAR-FM-023-RO	SLIDING PLATE METAL ONLY	3	
	17D	HM0029	CASTER WHEEL RED SIZE OD60XDP10XL33 FOR CAROUSEL	3	
	18	HPD110	T EDGING SILVER 5388 MM	1	
19	HM2952	ROLLER CHAIN 3.048 M O6 NK	1		
20	CAR-FP-001-R1	FIBER BASE	1		
21	HM 0002	RUBBER MOUNTING	3		
22	CAR-SA-014-R1	ASSEMBLY HUBUNGAN FRAME	1		