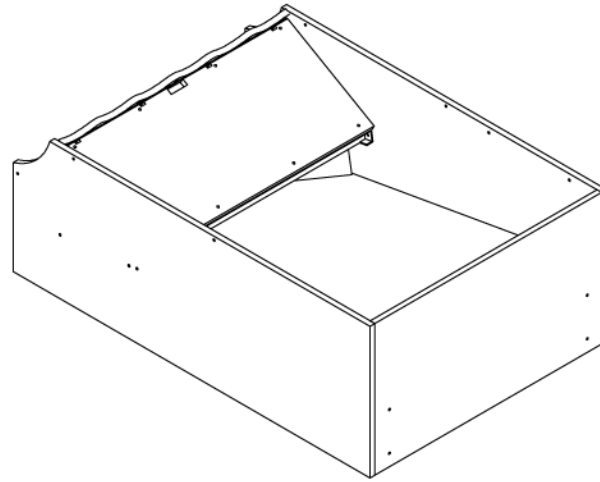
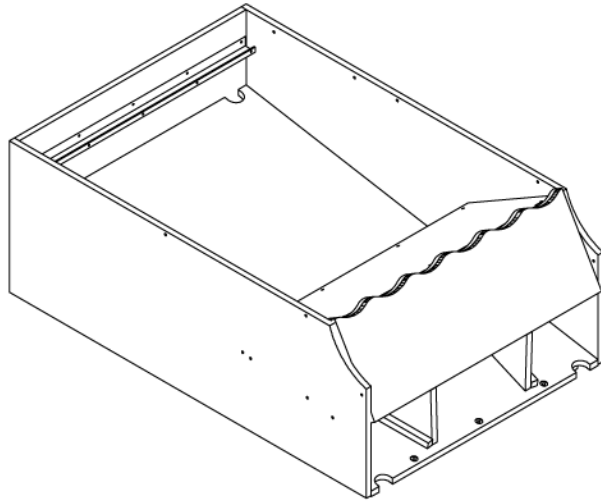


SQUID SPIES

NO	CODE	DESCRIPTION	QTY
16	SP1-FW-015-R0	BALL GATE COVER	1
17	SP1-MM-005-R0	BRACKET HINGE	1
18	SP1-SA-016-R0	STAND COVER ASSEMBLY	1R,1L
19	SP E004	FRONT DISPLAY ASSEMBLY	1
19A	SP1-SA-014-R1	BRACKET LIGHT 1 METAL ONLY	1
19B	EA0222	LAMP WEDGE GE906 12v 8~10w	15
19C	EA0226	LAMP HOLDER WB 2300 CRIMP PIN	15
20	SP E005	FRONT DISPLAY ASSEMBLY	1
20A	SP1-FM-033-R1	BRACKET LIGHT 2 METAL ONLY	1
20B	EA0222	LAMP WEDGE GE906 12v 8~10w	4
20C	EA0226	LAMP HOLDER WB 2300 CRIMP PIN	4
21	SP1-FW-017-R1	TIMER BASE CABINET	1
22	AT3397A	ACRILLIC TIMER ARTWORK SQUID SPICE	1
23	SP A003	BALL GATE ASSEMBLY	1
23A	SP1-FM-06A-R0	FITTING RIGHT	1
23B	SP1-FM-009-R0	GATE BLOCK	1
23C	SP1-SA-008-R0	BALL GATE PLATE	1
23D	SP1-FP-006-R1	BALLGATE RUBBER	1
23E	SP1-FM-010-R1	RUBBER CLAMP	1
23F	SP A003a	BRACKET MOTOR ASSEMBLY	1
-	SP1-FM-006B-R0	MOTOR HOLDER METAL ONLY	1
-	EA0406	MICROSWITCH LEVER 51 mm	1
-	EA1158	MOTOR MODEL; 8000 DC 12V 16 RPM	1
24	SP A004	SIDE PANEL BACK WITH STICKER	1
24A	AT3392A	STICKER BOTTOM SIDE PANEL LEFT	1
24B	AT3392B	STICKER BOTTOM SIDE PANEL RIGHT	1



23. SP A005 BALL GATE ASSEMBLY

