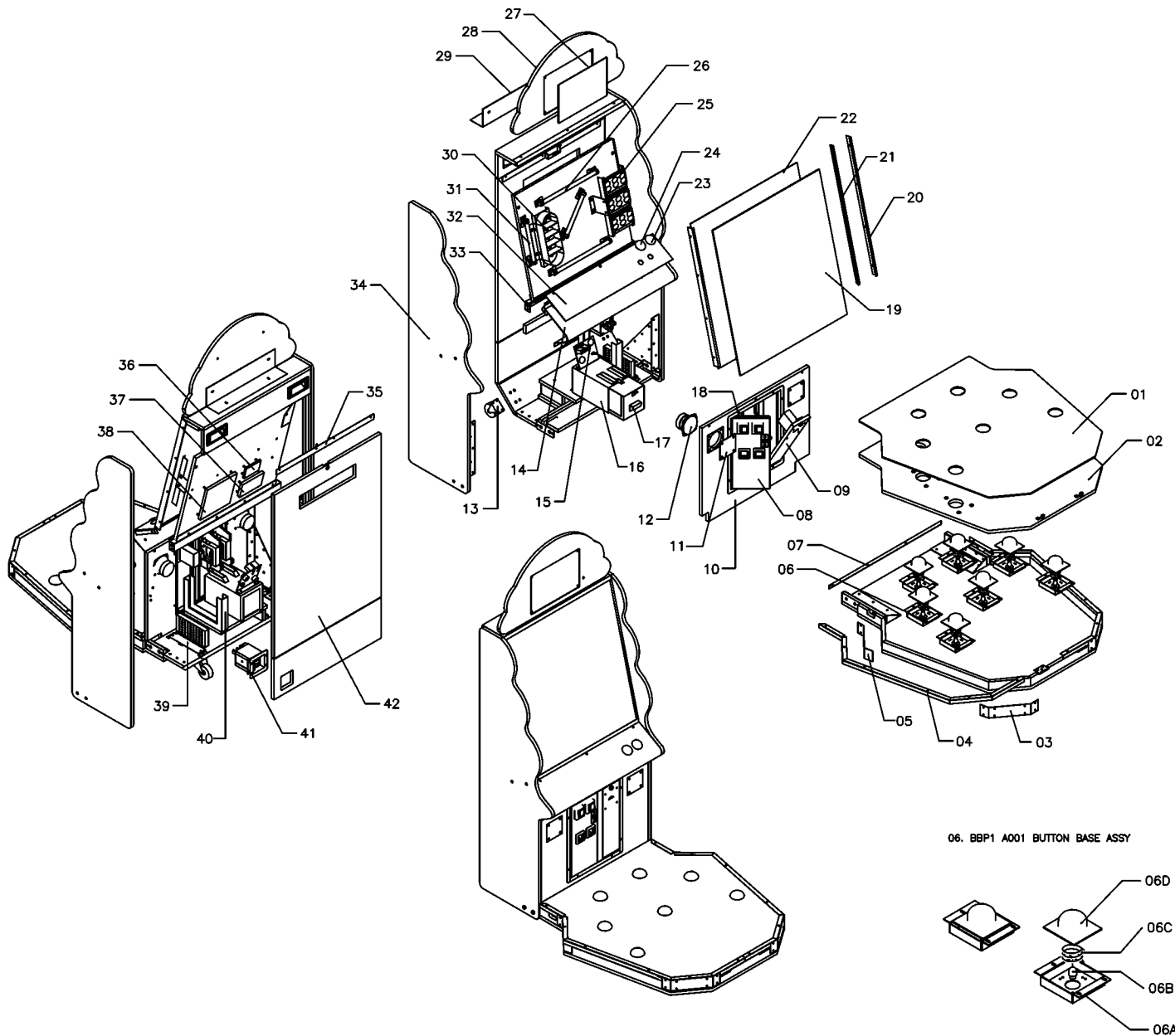


Bee Bee Boppin



NO	PART NO	DESCRIPTION	QTY	
01	BBP1-FP-005-R0	PLAYFIELD ARTWORK PROTECTOR	1	
02	BBP1-FW-012-R0	PLAYFIELD TOP	1	
02A	AT2854	STICKER DISPLAY PLAYFIELD	1	
03	BBP1-FM-011-R0	CLAMP B	1R,1L	
04	BBP1-FM-004-R0	BASE CLAMP	1R,1L	
05	BBP1-FM-010-R0	CLAMP A	1R,1L	
06	BBP1 A001	BUTTON BASE ASSY	7	
PART ITEM	06A	BBP1-FM-002-R0	BRACKET BUTTON	7
	06B	-	LAMP	7
	06C	-	SPRING	7
	06D	-	BUTTON RED	7
07	BBP1-FM-047-R0	CLAMP C	1	
08	BBP A002	COINDOOR DOUBLE COIN	1	
09	BBP A003	TICKET DOOR	1	
10	BBP1-FW-002-R1	FRONT PANEL LOWER	1	
10A	-	STICKER FRONT PANEL LOWER	1	
11	BBP1-FM-050-R0	SPEAKER COVER	2	
12	EA1201	SPEAKER 4" 8 OHM 40 W	2	
13	HM0062	CASTOR WHEEL 3" FIXED MERK: DYNE	2	
14	BBP1-FM-018-R1	CONTROL PANEL	1	
14A	AT2853	STICKER CONTROL PANEL	1	
15	BBP E001	SERVICE PANEL ASSEMBLY	1	
PART ITEM	15A	BBP1-FM-051-R0	SERVICE PANEL METAL ONLY	1
	15B	EA0519	SWITCH SMALL ROUND RED BUTTON P/N: HS-02M5	1
	15C	EA0520	SWITCH SMALL ROUND GREEN BUTTON P/N: HS-02M5	1
	15D	EA1252	COIN COUNTER 12V REAR MOUNTING WITH BRACKET	2
	15E	EE0889	POTENSIOMETER CARBON DUAL GANK 50K OHM	1
	15F	EP0602	KNOB VOLUME	1
-	BBP H000	SERVICE PANEL HARNESS	1	
16	BBP1-SA-049-R0	HOUSING CASH BOX ASSY	1	
17	BBP1-SA-050-R0	CASH BOX ASSY	1	
18	BBP1-SA-001-R0	COIN DOOR FRAME	1	
18A	-	STICKER FRONT PANEL LOWER	1	
19	BBP1-FG-001-R0	COVER DISPLAY GLASS	1	
20	BBP1-FM-021-R0	DISPLAY ACRYLIC RETAINER SIDE-OUT	2	
21	BBP1-FM-020-R0	DISPLAY ACRYLIC RETAINER SIDE-IN	2	
22	BBP1-FP-001-R0	DISPLAY ACRYLIC	1	
22A	AT2851	STICKER DISPLAY	1	
23	EA0503	SWITCH MEDIUM ROUND RED BUTTON WITH LAMP	1	
24	EA0505	SWITCH MEDIUM ROUND BLUE BUTTON WITH LAMP	1	
25	BAFB74	PCB FB74 2" 3 DIGIT DISPLAY	3	
26	EA0205	LAMP NEON 15 W COOL WHITE P/N:LF15TB	2	
27	BBP1-FP-002-R0	PAYOUT PANEL ACRYLIC	1	
28	BBP1-FW-008-R0	TICKET PAYOUT PANEL	1	
28A	AT2852	STICKER HEADER	1	
29	BBP1-FM-034-R0	PAYOUT PANEL BRACKET METAL ONLY	1	
30	BBP1 A004	LEVER COVER ASSEMBLY	1	
30A	BBP1-SA-003-R0	LEVER COVER METAL ONLY	1	
30B	-	LAMP MEDIUM	5	
30C	-	LAMP SMALL	10	
31	-	LAMP NEON - W COOL WHITE P/N:LF15TB	2	
32	BBP1-FM-026-R0	PANEL HOLDER MODIFIKASI	1	
33	BBP1-FP-003-R0	CONTROL PANEL COVER	1	
34	BBP1-FW-015-R0	SIDE PANEL RIGHT/ LEFT WOOD ONLY	1R,1L	
34A	AT2855	STICKER SIDE PANEL RIGHT/LEFT	1R,1L	
35	BBP1-FM-044-R0	BACK DOOR STOPPER	1	
36	BA0029	PCB FB29 STEREO AUDIO AMPLIFIER STC HH TB-PV	1	
37	BAFB52C	PCB FB52C 16 MHZ Z80 SOUND BOARD	1	
38	BAFB66A	PCB FB66A BEE BEE BOPPIN MPU	1	
39	BBP E002	POWER ASSEMBLY	1	
39A	BBP1-FM-003-R1	BALLAST BRACKET	1	
39B	EA1003	SWITCHING POWER SUPPLY +5V 15A +12V 4A -5V 1A	1	
40	BBP1-FM-048-R0	TICKET HOLDER	1	
41	BBP1 E003	DB BOX METAL ONLY	1	
PART ITEM	41A	HA0007	DB BOX ASSEMBLY	1
	41B	EA0649	IEC TYPE NOISE EMI FILTER FUSE AND SWITCH UL	1
	41C	EA1356	BINDING POST	1
	-	EA1358	SPLIT CORE EMI FILTER FOR CE MACHINE	1
OPTIONAL				
-	EA0635	POWER LEAD MOLDED IEC TO 3 PIN USA	1	
-	EA0636	POWER LEAD MOLDED IEC TO 2 PIN INDO	1	
-	EA0637	POWER LEAD MOLDED IEC TO 3 PIN AU	1	
-	EA0639	POWER LEAD MOLDED IEC TO 3 PIN UK	1	
42	BBP1-FW-007-R0	BACK DOOR	1	