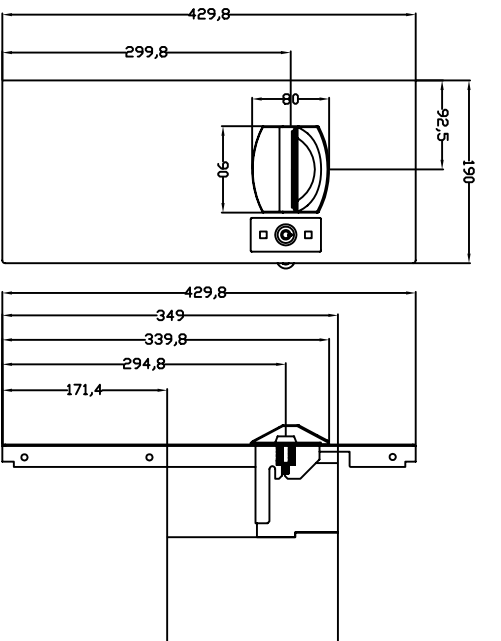


NOTE :		This drawing & design is the property of Matahari Leisure and cannot be reproduced or copied, wholly or in part without prior written permission of MATAHARI LEISURE	
MATERIAL :	METAL SHEET	THICKNESS	1.5 mm
FINISHING :	PC BLACK	QTY / MC :	1 OFF
SCALE :	GENERAL TOLERANCE	DATE :	09/04/07
1:1	± 0.2 mm	DATE :	

PROJECT NAME : STANDARD		TITLE NAME : ODN AND GRL DOOR EURO	
DESIGNER	WAMU	CHECKED	AMMAR
DATE	09/04/07	APPROVAL	SAMDI
DATE		DATE	

MATAHARI LEISURE

NO	DATE	CHANGE ITEM

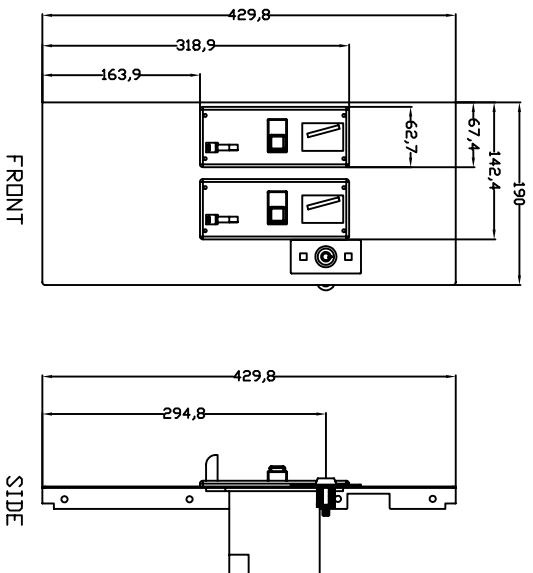


NOTE :		This drawing & design is the property of Matahari Leisure and cannot be reproduced or copied, wholly or in part without prior written permission of MATAHARI LEISURE	
MATERIAL :	METAL SHEET	THICKNESS	1.5 mm
FINISHING :	PC BLACK	QTY / MC :	1 OFF
SCALE :	GENERAL TOLERANCE	DATE :	09/04/07
1:1	± 0.2 mm	DATE :	

PROJECT NAME : STANDARD		TITLE NAME : ODL DOOR EURO	
DESIGNER	WAMU	CHECKED	AMMAR
DATE	09/04/07	APPROVAL	SAMDI
DATE		DATE	

MATAHARI LEISURE

NO	DATE	CHANGE ITEM



NOTE :		This drawing & design is the property of Matahari Leisure and cannot be reproduced or copied, wholly or in part without prior written permission of MATAHARI LEISURE	
MATERIAL :	METAL SHEET	THICKNESS	1.5 mm
FINISHING :	PC BLACK	QTY / MC :	1 OFF
SCALE :	GENERAL TOLERANCE	DATE :	09/04/07
1:1	± 0.2 mm	DATE :	

PROJECT NAME : STANDARD		TITLE NAME : ODL DOOR EURO	
DESIGNER	WAMU	CHECKED	AMMAR
DATE	09/04/07	APPROVAL	SAMDI
DATE		DATE	

MATAHARI LEISURE

NO	DATE	CHANGE ITEM