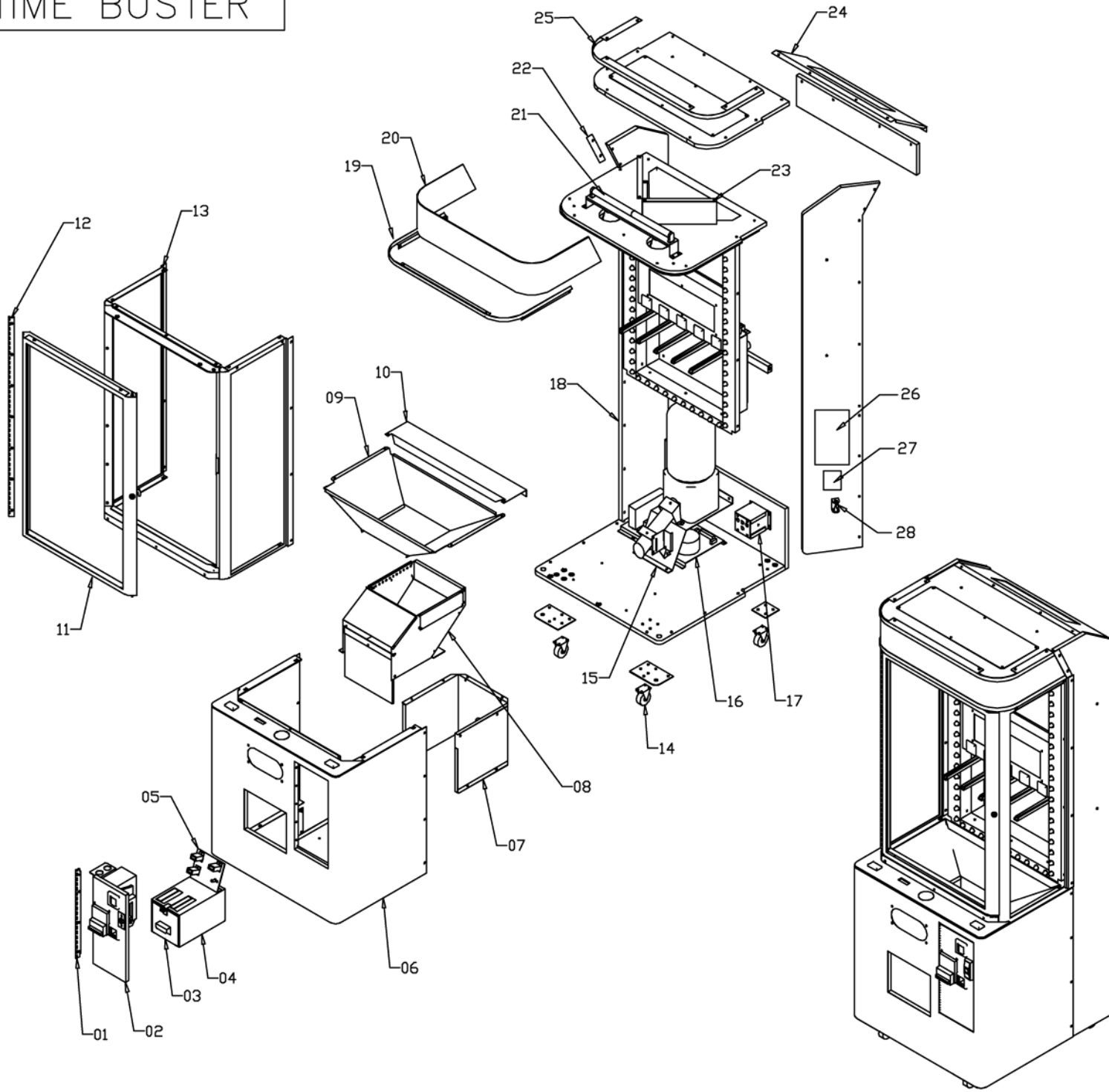


TIME BUSTER



NO	PART NO	DESCRIPTION	QTY
01	TB1-FM-51-R1	COIN DOOR HINGE	1
02	TB1 A008	COIN DOOR ASSY	1
03	TB1-SA-59-RO	CASH BOX	1
04	TB1-SA-60-RO	HOUSING CASHBOX	1
05	TB1 E008	SERVICE PANEL ASSEMBLY	1
	STC-FM-38-RO	COIN COUNTER BRACKET	1
	EA1252	COIN COUNTER 12V REAR MOUNTING	3
	EO0689	POTENSIO CARBON WITH KNOB	1
	EP0602	KNOB VOLUME	1
	-	HARNES SERVICE PANEL	1
06	TB1 A003	FRONT PANEL ASSEMBLY	1
	STC-SA-01-RO	FRONT PANEL METAL ONLY	1
	STC-FP-06-RO	ACRILLIC CONTROL PANEL	1
	STC-FM-37-RO	SPEAKER GRILL	1
	EA0533	PUSH BUTTON BLUE	1
	EA0507	SWITCH RECT GREEN BUTTON WITH LAMP	1
	EA0556	SWITCH RECT RED BUTTON WITH LAMP	1
	BA2601	PCB51 2cm 4 DIGIT DISPLAY	1
	AT3214	STICKER TIME BUSTER FRONT LOWER CABINET	1
	EA1201	SPEAKER 4" 8 OHM 40 W	2
07	TB1-FM-02-RO	PRIZE RECEIVAL BOX	1
08	-	PRIZE BOX ASSEMBLY	1
	STC A004A	PRIZE BOX METAL ONLY	1
	BA2602	PCB59a SB PRIZE SENSOR MASTER	1
	BA2603	PCB59b SB PRIZE SENSOR SLAVE	1
	STC A004B	PRIZE DOOR WITH STICKER	1
09	TB1-SA-09-RO	PRIZE CHUTE ASSEMBLY	1
10	TB1-FM-10-RO	PANEL LOWER RETAINER	1
11	TB1 A001	FRONT DOOR ASSEMBLY	1
12	TB1-FM-56-RO	FRONT DOOR HINGE	1
13	TB1 A007	SIDE SKIN ASSEMBLY	1
14	HM0016	CASTOR 2" SWIVEL	4
15	CD A001	CAPSULE DISPENCER ASSEMBLY	1
16	TB1 E007	POWER ASSEMBLY	1
17	TB1 E005	DB BOX ASSEMBLY	1
	STC E005A	DB BOX METAL ONLY	1
	EA1356	BINDING POST	1
	EA1358	SPLIT CORE EMI FILTER FOR CE MACHINE	1
	EA0649	IEC TYPE NOISE EMY FILTER	1
	STC H001	DB BOX HARNES	1
	EA0635	POWER LEAD MOLDED IEC TO 3 PIN USA	1
	EA0636	POWER LEAD MOLDED IEC TO 2 PIN INDO	1
	EA0637	POWER LEAD MOLDED IEC TO 3 PIN AU	1
EA0639	POWER LEAD MOLDED IEC TO 3 PIN UK	1	
18	TB1 A005	SIDE PANEL ASSY	1R,1L
	STC-FW-06-RO	SIDE PANEL	1
	AT3211	STICKER TIME BUSTER SIDE R/L	1
19	TB1-FM-22-RO	MYLAR LOWER BRACKET	1
20	AT3213	ACRILLIC HEADER	1
21	TB1 E006	TOP LIGHT TIME BUSTER ASSY	1
	EA0206	LAMPU NEON 18W COOL WHITE	1
	EP0434	END CAP HOLDER MODEL 713 HS	2
	STC-FM-15-RO	TOP UL BRACKET	1
22	TB1-FM-36-RO	MYLAR SIDE RETAINER	2
23	TB1-FM-35-RO	MYLAR DIVIDER	1
24	TB1-SA-19-RO	MYLAR BACK COVER	1
25	TB1-FM-21-RO	MYLAR TOP RETAINER	1
26	BA2001	PCB 32 CHANNEL AC DRIVER	1
27	BA2057	PCB WATCHDOG	1
28	EA0516	SWITCH TILT ASSEMBLY	1