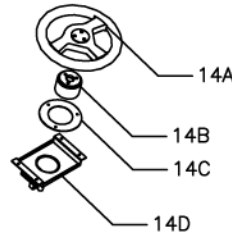
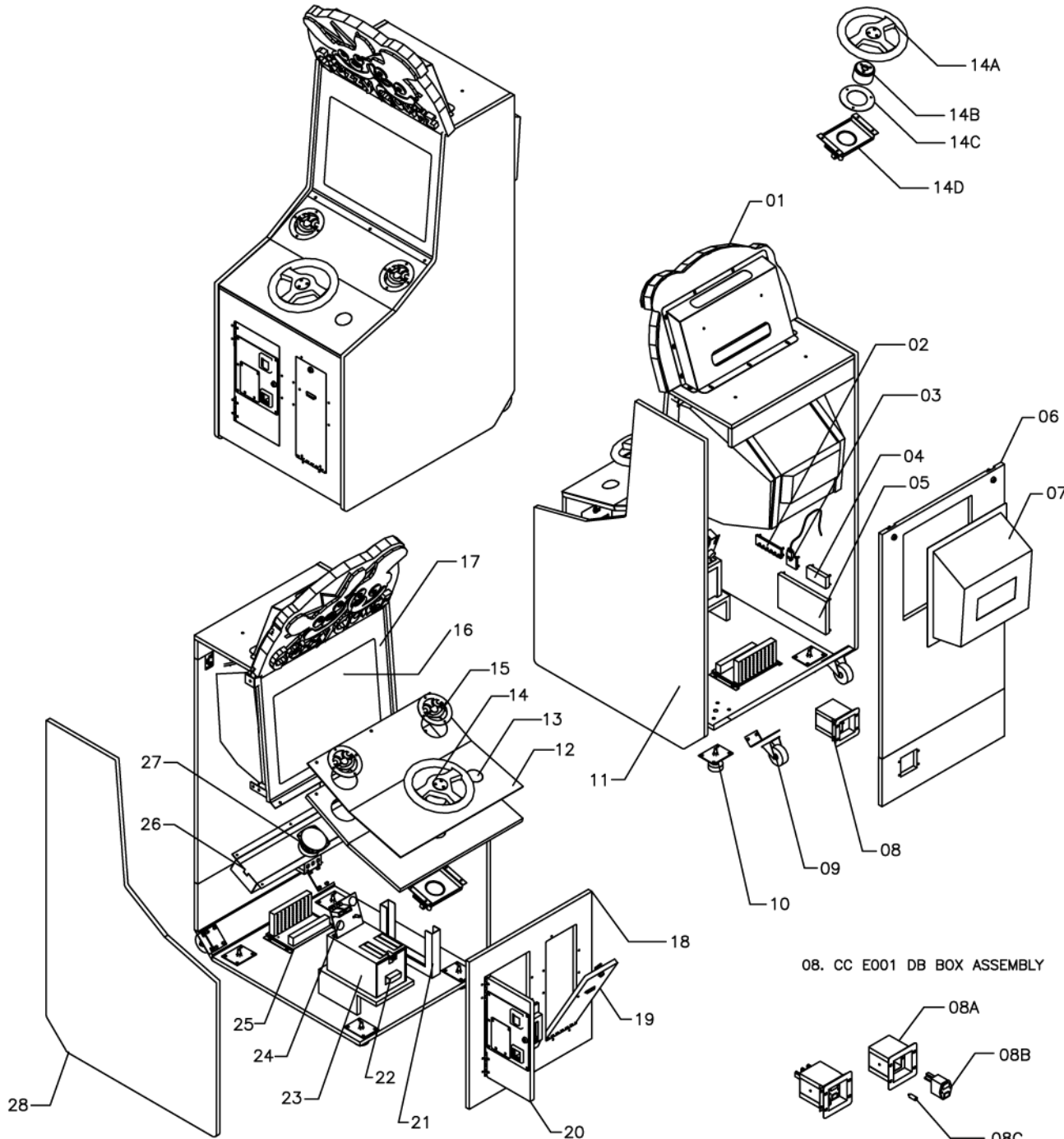
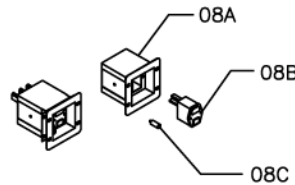


# CRAZY CLOWN

14. EA1360 STEERING WHEEL POT OUTPUT



08. CC E001 DB BOX ASSEMBLY



NO	PART NO	DESCRIPTION	QTY	
01	CC A001	HEADER ASSEMBLY	1	
02	BA1303	PCB FB68 STEERING INTERFACE	1	
03	EC1828	CABLE MONITOR VGA DB 15-WAY(MALE-MALE)	-	
04	BA1302	PCB FB29a STEREO AUDIO AMPLIFIER	1	
05	BA1301	PCB ICE GAME BOARD	1	
06	CC1-FW-003-R0	BACK DOOR	1	
07	CC1-SA-001-R0	METAL BACK COVER	1	
08	CC E001	DB BOX ASSEMBLY	1	
PART ITEM	08A	HA0007	DB BOX METAL ONLY	1
	08B	EA0649	IEC TYPE NOISE EMI FILTER WITH FUSE AND SWITCH UL MODEL: 06A825	1
	08C	EA1356	BINDING POST	1
	-	EA1356	SPLIT CORE EMI FILTER FOR CE MACHINE	1
	-	CC H002	DB BOX HARNESS	1
	OPTIONAL			
	-	EA0635	POWER LEAD MOLDED IEC TO 3 PIN USA	1
	-	EA0636	POWER LEAD MOLDED IEC TO 2 PIN INDO	1
	-	EA0637	POWER LEAD MOLDED IEC TO 3 PIN AU	1
	-	EA0639	POWER LEAD MOLDED IEC TO 3 PIN UK	1
09	HM0062	CASTOR WHEEL 3" FIXED MERK: DYNE	2	
10	HM0002	RUBBER MACHINE GLIDE	4	
11	CC1-FW-001B-R0	CABINET SIDE LEFT WOOD ONLY	1	
11A	AT2507	STICKER MACHINE SIDE LEFT	1	
12	CC1-FP-001-R0	ACRYLIC PLAYFIELD	1	
12A	AT2506	STICKER ACRYLIC PLAYFIELD	1	
13	EA0547	PUSH BUTTON RED COLOR P/N. S9205D5	1	
14	CC A002	STEERING WHEEL ASSEMBLY	1	
	14A	HP0004	STEERING WHEEL AND COVER CAP	1
	14B	CC1-FM-020-R0	STEERING PIPE	1
	14C	CC1-FM-021-R0	STEERING PIPE RING	1
	14D	EA1360	STEERING WHEEL POT OUTPUT	1
15	CC1-FM-021-R2	SPEAKER COVER	2	
16	EA1059	COLOUR PICTURE TUBE 29" CORION SAMSUNG	1	
17	CC1-FW-011-R0	MONITOR GLASS BACK BOARD	1	
	17A	AT2503	STICKER MONITOR MASK	1
	17B	HM1801	TEMPERED SAFETY GLASS SIZE:638X538X6MM (HM1801)	1
18	CC1-FW-004-R2	FRONT PANEL LOWER WOOD ONLY	1	
18A	AT2502	STICKER FRONT PANEL	1	
19	CC A003	TICKET DOOR ASSEMBLY	1	
20	CC A004	COINDOOR ASSEMBLY	1	
21	CC1-FM-019-R0	TICKET HOLDER	1	
22	CC1-SA-003-R0	CASH BOX	1	
23	CC1-SA-002-R0	HOUSING CASH BOX	1	
24	CC E002	SERVICE PANEL ASSEMBLY	1	
PART ITEM	24A	CC1-FM-017-R0	SERVICE PANEL METAL ONLY	1
	24B	EA0519	SWITCH SMALL ROUND RED BUTTON P/N: HS-02M5	1
	24C	EA0520	SWITCH SMALL ROUND GREEN BUTTON P/N: HS-02M5	1
	24D	EA1252	COIN COUNTER 12V REAR MOUNTING WITH BRACKET	2
	24E	EE0689	POTENTIOMETER CARBON DUAL GANG 50K Ohm	1
	24F	EP0602	KNOB VOLUME	1
	-	CC H003	SERVICE PANEL HARNESS	1
25	CC E003	POWER ASSEMBLY	1	
26	CC1-FM-022-R0	BACK COVER SPEAKER	1	
27	EA1201	SPEAKER 4" 8 OHM 40W	2	
28	CC1-FW-001A-R0	CABINET SIDE RIGHT WOOD ONLY	1	
28A	AT2508	STICKER MACHINE SIDE RIGHT	1	
29	CC H004	MAIN HARNESS	1	