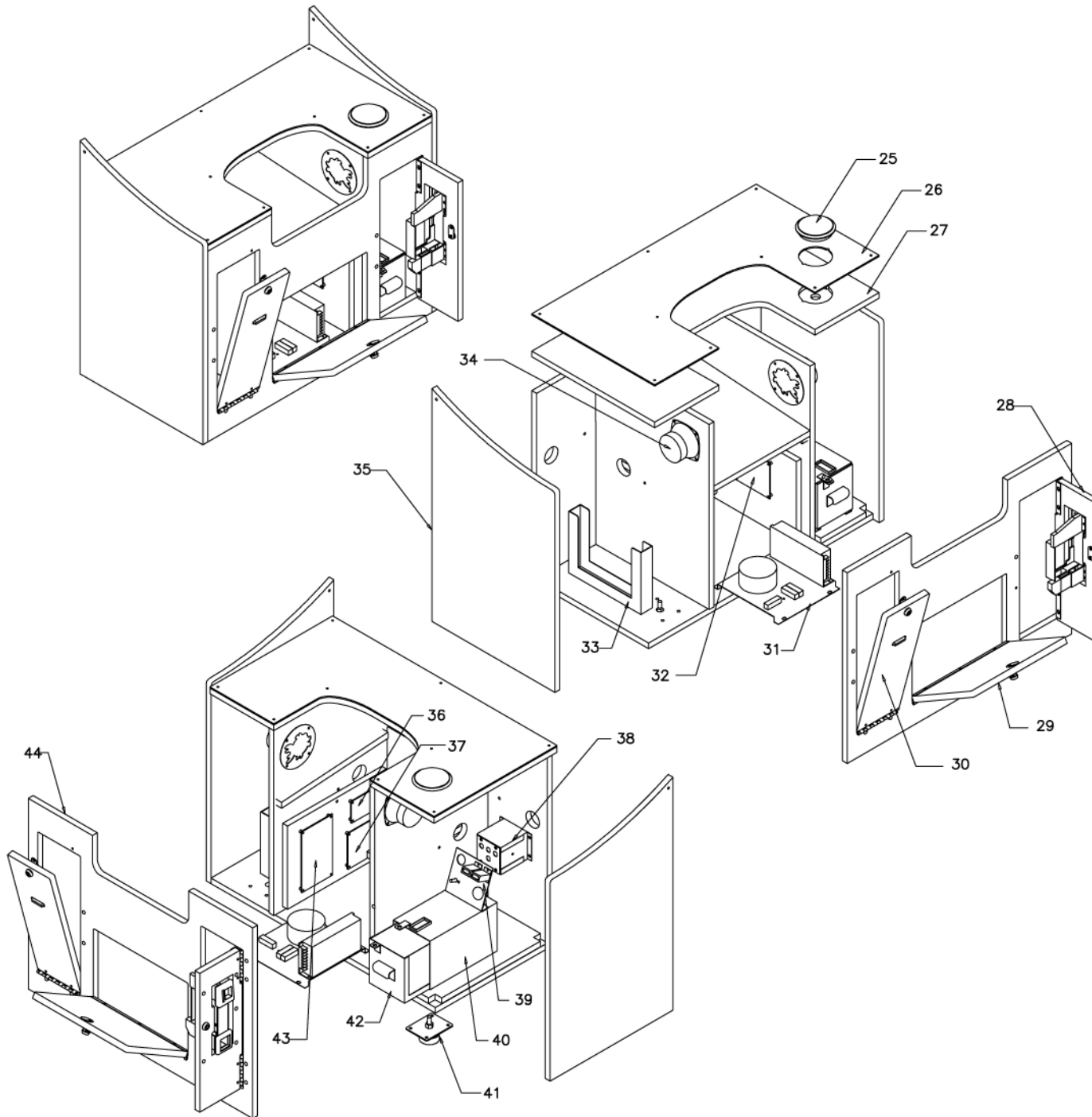


# SQUID SPIES



NO	CODE	DESCRIPTION	QTY
25	EA0523	SWITCH LARGE RED MEGA BUTTON	1
26	AT3399B	ACRILIC CONTROL PANEL	1
27	SP1-FW-008-R1	UPPER PANEL FRONT	1
28	SP A006	COINDOOR ASSEMBLY	1
28A	SP1-FW-011-R0	COINDOOR PANEL	1
28B	SP1-MM-001-R1	COINDOOR HINGE	1
28C	SP1-MM-004-R1	COINDOOR HINGE	1
28D	SP1-FM-022-R0	COINDOOR PLATE	1
28E	HM0004	LOCK ANGLE	1
28F	HA0014	COIN MECHANISM HOLDER	1
29	SP A008	DOOR ACCESS ASSEMBLY	1
29A	SP1-FW-010-R0	DOOR ACCESS PANEL	1
29B	SP1-MM-003-R1	DOOR ACCESS HINGE	1
29C	HM0004	LOCK ANGLE	1
30	SP A007	TICKET DOOR ASSEMBLY	1
30A	SP1-FW-012-R1	TICKET DOOR PANEL	1
30B	SP1-MM-002-R1	TICKET DOOR HINGE	1
30C	SP1-FM-032-R1	TICKET PLATE	1
30D	HM0004	LOCK ANGLE	1
30E	EA1102	TICKET DISPENSER ENTROPY	1
31	SP E006	POWER ASSEMBLY	1
31A	EA0822	TRANSFORMER MULTI TAP / 2 x 11.5 x 15A	1
31B	EA1015	SWITCHING POWER SUPPLY 12V 12.5Amps	1
31C	EA0814	300 VAC / VDC TERMINAL BLOCK 4 Poles 44"	1
31D	EA0016	FUSE 3AG FAST BLOW 10A	2
31E	EA0042	FUSE BLOK FOR 1/4" Dia X1-1/4" L	2
31F	SP1-FM-021-R0	TRAF0 BRACKET METAL ONLY	1
-	SP H001	POWER HARNESS	1
32	BAFB71	PCB FB71 16-WAY AC DRIVER	1
33	SP1-FM-024-R0	TICKET HOLDER	1
34	SP A005	SPEAKER ASSEMBLY	2
34A	EA1201	SPEAKER 4" 8 Ohm 40W	2
34B	SP1-FM-30A-R1	SPEAKER COVER	2
34C	SP1-FM-30B-R1	SPEAKER GRILL	2
35	SP1-FW-001-R1	FRONT SIDE PANEL WITH STICKER	1R,1L
35A	AT3393A	STICKER FRONT SIDE PANEL LEFT	1
35B	AT3393B	STICKER FRONT SIDE PANEL RIGHT	1
36	BAFB52C	PCB FB52C 16 Mhz Z80 SOUND BOARD	1
37	BA0029	PCB FB29 STEREO AUDIO AMPLIFIER	1
38	SP E007	DB BOX ASSEMBLY	1
-	SP E007a	DB BOX METAL ONLY	1
-	EA1356	BINDING POST	1
-	EA1358	SPLIT CORE EMI FILTER FOR CE MACHINE	1
-	EA0649	IEC TYPE NOISE EMI FILTER	1
-	SP H002	DB BOX HARNESS	1
-	EA0635	POWER LEAD MOLDED IEC TO 3 PIN USA	1
-	EA0636	POWER LEAD MOLDED IEC TO 2 PIN INDO	1
-	EA0637	POWER LEAD MOLDED IEC TO 3 PIN AU	1
-	EA0639	POWER LEAD MOLDED IEC TO 3 PIN UK	1
39	SP E008	SERVICE PANEL ASSEMBLY	1
39A	SP1-FM-040-R0	SERVICE PANEL METAL ONLY	1
39B	EA0519	SWITCH SMALL ROUND RED BUTTON	1
39C	EA0520	SWITCH SMALL ROUND GREEN BUTTON	1
39D	EA1252	COIN COUNTER 12V REAR MOUNTING	2
39E	EE0689	POTENSIO CARBON DUAL GANG 50KOhm	1
39F	EP0602	KNOB VOLUME	1
-	SP H003	SERVICE PANEL HARNESS	1
40	SP1-SA-002-R0	HOUSING CASHBOX	1
41	HM0002	RUBBER MACHINE GLIDE	3
42	SP1-SA-001-R0	CASHBOX	1
43	BAFB66A	PCB FB66A MPU CONTROLLER BBB LH	1
44	SP A009	FRONT PANEL LOWER WITH STICKER	1
-	-	FRONT PANEL LOWER STICKER	1
-	SP H004	MAIN HARNESS FRONT PANEL	1