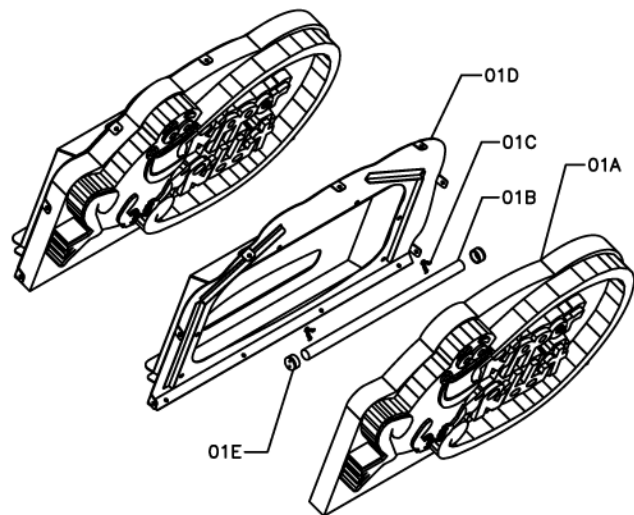
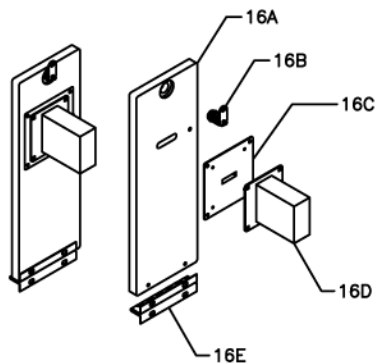


RIPPER RIBBIT

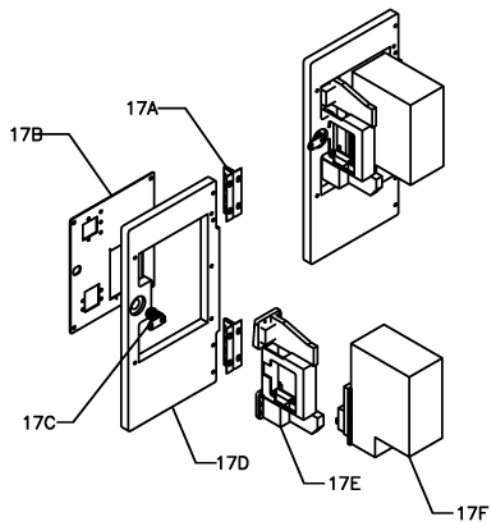
01. RR A001 HEADER ASSEMBLY



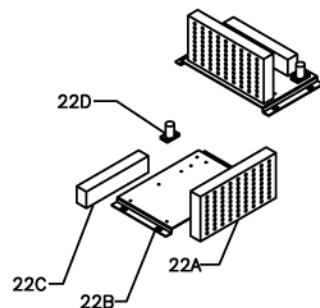
16. RR A003 TICKET DOOR ASSEMBLY



17. RR A004 COINDOOR ASSEMBLY



22. RR E006 POWER ASSEMBLY



NO	PART NO	DESCRIPTION	QTY	
01	RR A001	HEADER ASSEMBLY	1	
PART ITEM	01A	HP1302	HEADER ACRYLIC	1
	01B	-	NEON 18 WATT	1
	01C	-	NEON CLIP	2
	01D	RR1-SA-003-R0	HEADER BRACKET	1
	01E	-	END CAP HOLDER	2
16	RR A002	TICKET DOOR ASSEMBLY	1	
PART ITEM	16A	RR1-FW-013-R0	TICKET DOOR PANEL	1
	16B	HM0004	LOCK ANGLE	1
	16C	RR1-SA-004-R0	TICKET PLATE	1
	16D	EA1102	TICKET DISPENCER ENTROPY	1
	16E	RR1-MM-002-R0	TICKET DOOR HINGE	1
	-	AT 1303	STICKER FRONT DOOR	1
17	RR A003	COINDOOR ASSEMBLY	1	
PART ITEM	17A	RR1-MM-001-R0	COINDOOR HINGE	2
	17B	RR1-FM-022-R0	COINDOOR PLATE	1
	17C	HM0004	LOCK ANGLE	1
	17D	RR1-FW-014-R2	COINDOOR PANEL	1
	17E	HA0014	COIN MECHANISM HOLDER	1
	17F	EA1109	DOLLAR BILL ACCEPTOR	1
	-	AT 1303	STICKER FRONT DOOR	1
	-	RR H005	COIN DOOR HARNESS	1
22	RR E003	POWER ASSEMBLY	1	
PART ITEM	22A	EA1003	SWITCHING POWER SUPPLY 12V 12.5Amps	1
	22B	RR1-FM-018-R0	TRAFO BRACKET METAL ONLY	1
	22C	-	BALLAST 18 WATT	1
	22D	-	STARTER BASE	1
	-	RR H001	POWER HARNESS	1