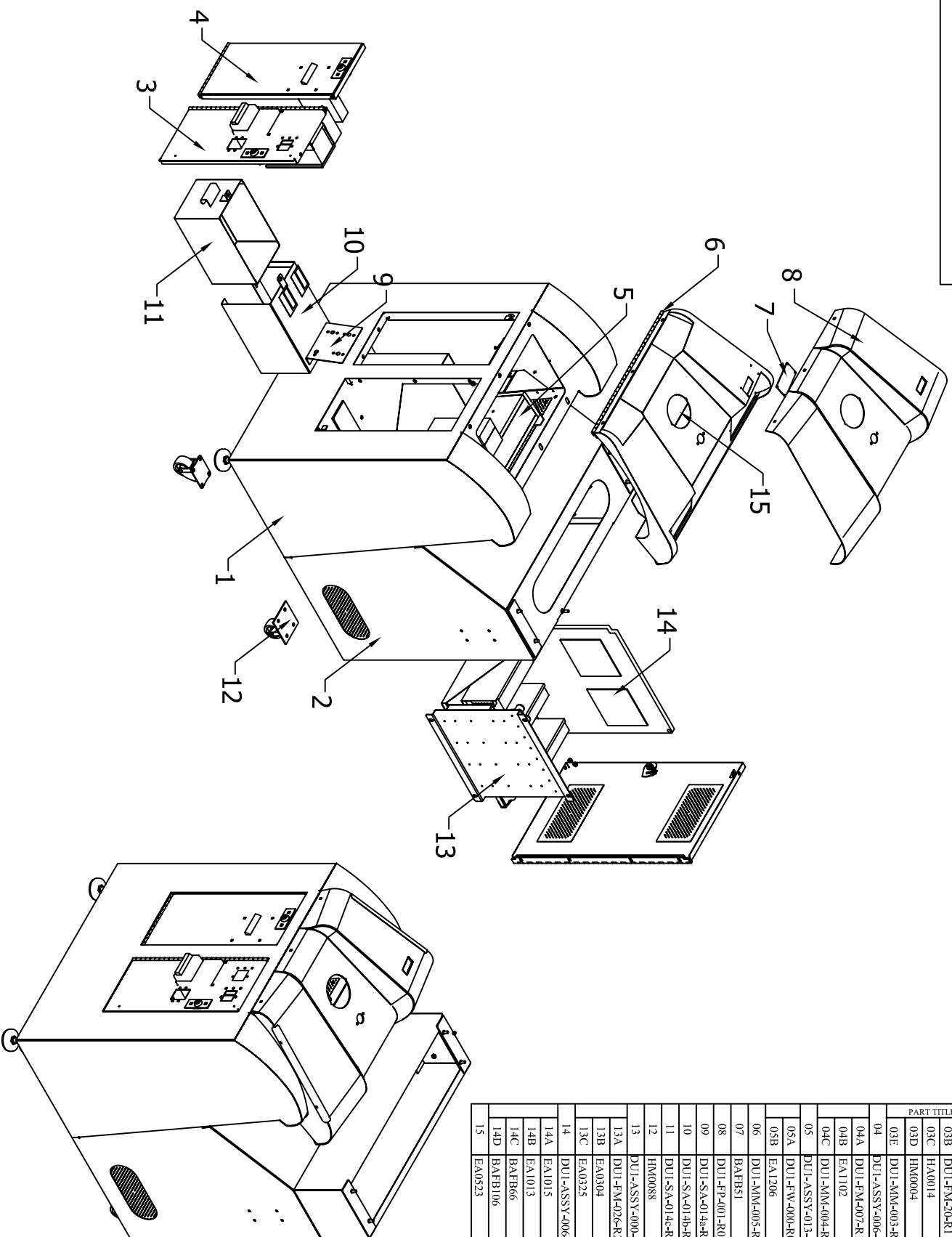


# Double Up



No.	No. Part	Description	Qty
01	DU1-SA-001-R2	Front Cabinet	1
02	DU1-SA-003-R0	Middle Cabinet Assy	1
03	DU1-ASSY-005-R0	Coin Door Assy	1
03A	DU1-SA-006-R3	Coin Door DBA	1
03B	DU1-FM-20-R1	Lock Handle	1
03C	HA0014	Coin Cradle	1
03D	HM0004	Lock Angle	1
03E	DU1-MM-003-R0	Coin Door Hinge	1
04	DU1-ASSY-006-R0	Ticket Door Full Assy	1
04A	DU1-FM-007-R1	Ticket Door	1
04B	EA1102	Ticket Dispenser	1
04C	DU1-MM-004-R0	Ticket Door Hinge	1
05	DU1-ASSY-013-R0	Box Speaker Assy	1
05A	DU1-FW-000-R0	Box Speaker	1
05B	EA1206	4" Speaker	2
06	DU1-MM-005-R0	Hinge Front Panel	1
07	BAFB51	PCB 4 Digit Credit Display	1
08	DU1-FP-001-R0	Front Vacuum Panel	1
09	DU1-SA-014a-R0	Housing Cash Box	1
10	DU1-SA-014b-R0	Cash Box	1
11	DU1-SA-014c-R0	Service Bracket	1
12	HM0088	2" Castor Wheel Swivel	4
13	DU1-ASSY-000-R0	Bracket Ballast Assy	1
13A	DU1-FM-026-R2	Stator & Ballast Bracket	1
13B	EA0304	Stator S-10	8
13C	EA0325	Ballast 18-36 Watt	8
14	DU1-ASSY-006-R2	PS & Tratio Bracket Assy	1
14A	EA1015	Power Supply 12 VDC	1
14B	EA1013	Power Supply 5 VDC	2
14C	BAFB66	Main System PCB	1
14D	BAFB106	Sound and Amplifier PCB	1
15	EA0523	Mega Round Red Button	1