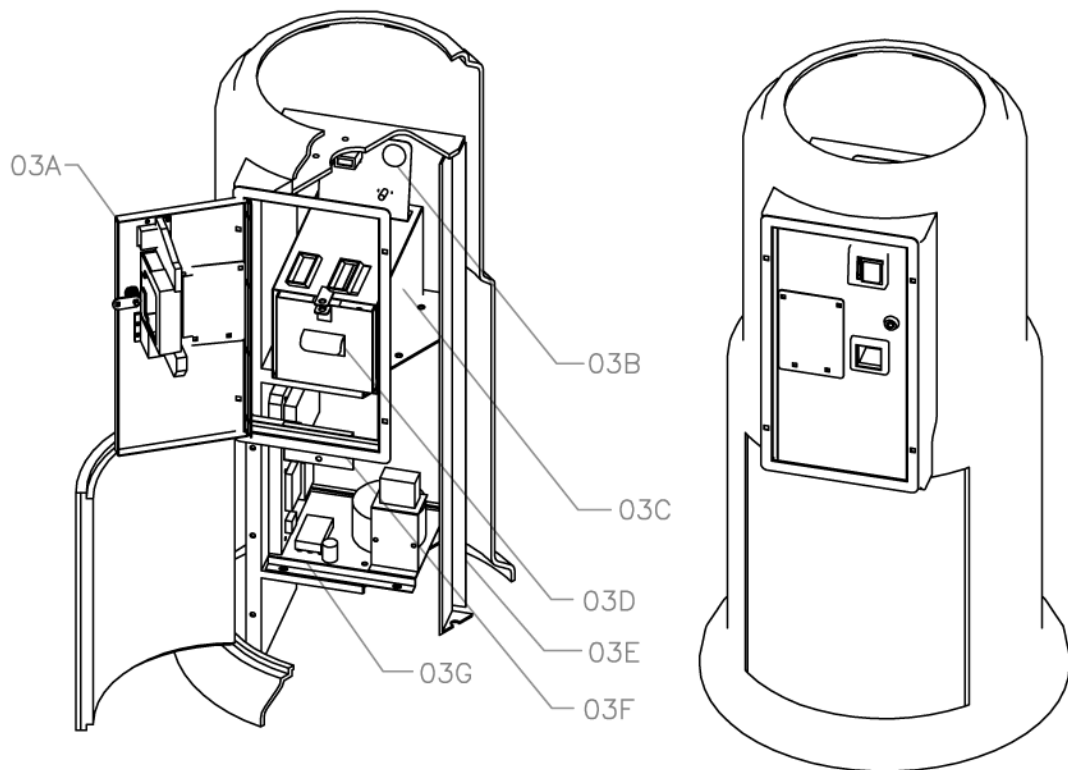
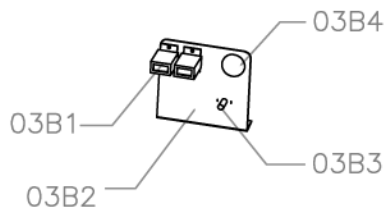


03. FIBER SHELL LOWER ASSEMBLY



| NO | CODE | DESCRIPTION | QTY | | |
|-----------|----------|------------------------|--|------------------------------------|---|
| 03 | CAR A002 | FIBER SHELL LOWER | 1 | | |
| PART ITEM | 03B | CAR E003 | SERVICE PANEL ASSEMBLY | 1 | |
| | SUB | 03B1 | EA1252 | COIN COUNTER 12V REAR MOUNTING | 2 |
| | | 03B2 | CAR-FM-44-R0 | SERVICE PANEL METAL ONLY | 1 |
| | | 03B3 | EP0602 | KNOB VOLUME | 1 |
| | | 03B4 | EA0520 | SWITCH SMALL ROUND GREEN BUTTON | 1 |
| | | 03B5 | EE0689 | POTENSIO CARBON DUAL GANG 50 K OHM | 1 |
| | | - | CAR H001 | SERVICE PANEL HARNESS | 1 |
| | 03C | CAR-FM-028-R1 | HOUSING CASH BOX | 1 | |
| | 03D | CAR-FM-047-R0 | CASH BOX | 1 | |
| | 03E | CAR-SA-024-R1 | MIDDLE STAND ASSEMBLY | 1 | |
| | 03F | CAR-SA-035-R0 | COINDOOR FRAME | 1 | |
| | 03G | CAR E004 | POWER ASSEMBLY | 1 | |
| | SUB | 03G1 | CAR-FW-001-R0 | MDF PCB | 1 |
| 03G2 | | BAFB52C-CAR | BAFB52C PCB CPU | 1 | |
| 03G3 | | BA1609 | BAFB79 PCB EXTENDED SOUND BOARD | 1 | |
| 03G4 | | BA0029 | BAFB29 PCB AUDIO AMPLIFIER | 1 | |
| 03G5 | | EE2401 | DIODE BRIDGE KBPC3506 | 1 | |
| 03G6 | | EA0042 | FUSE BLOCK FOR 1/4" DIA X 1-1/4" FUSE 10 POLES SCREW | 1 | |
| 03G7 | | EE1061 | CAPACITOR ELECTRO 10000 uF 10 TO 100 VOLT | 1 | |
| 03G8 | | EA0614 | TERMINAL BLOCK 4 POLES 300 VAC/VDC | 1 | |
| 03G9 | | CAR-SA-025-R1 | PCB BRACKET METAL ONLY | 1 | |
| 03G10 | | EA0822 | TRAFO 2X11.5 15 A | 1 | |
| 03G11 | | EA1366 | RELAY MK 2P/ 12.05+50C | 1 | |
| 03G12 | | BA0043 | BAFB43 PCB AC DRIVE | 1 | |
| - | CAR H002 | POWER ASSEMBLY HARNESS | 1 | | |

03B. CAR E001 SERVICE PANEL ASSEMBLY



03G. CAR E002 POWER ASSEMBLY

