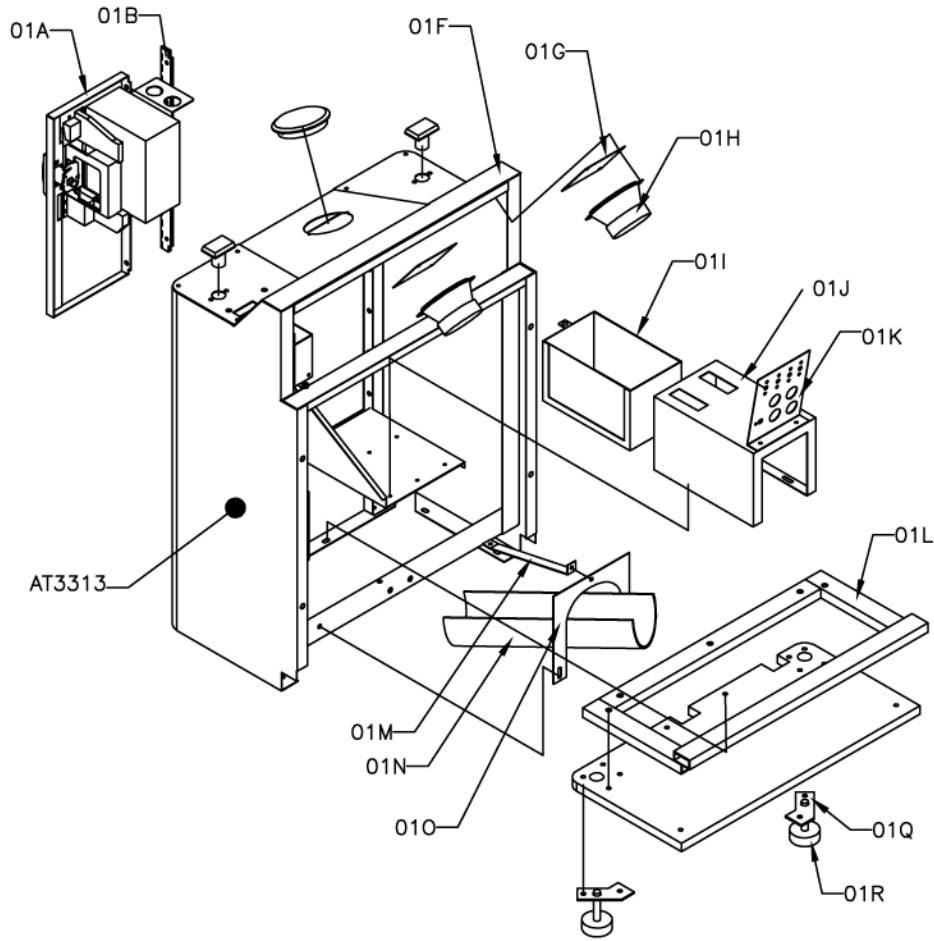
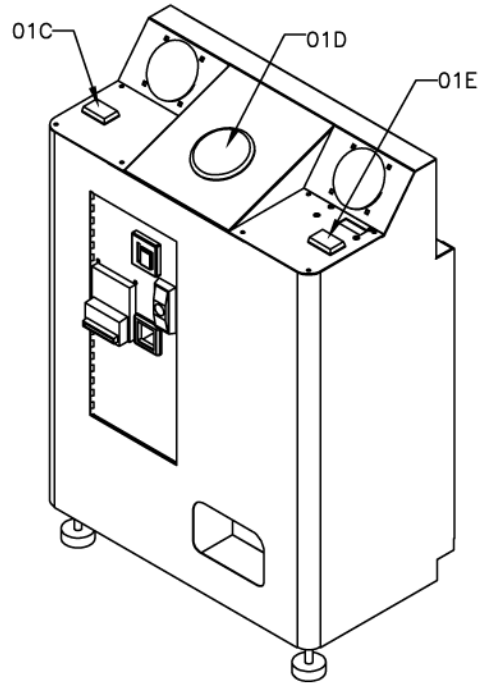


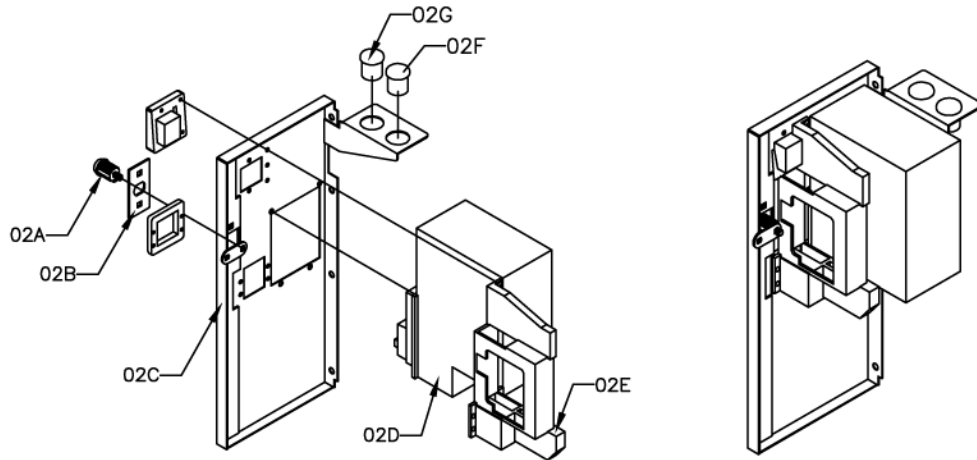
# STACKER GIANT



## 01. CONTROL PANEL ASSEMBLY



## 02. COIN DOOR 1 DBA, 1 SLOT



NO	CODE	DESCRIPTION	QTY	
01	STG A005	CONTROL PANEL ASSEMBLY	1	
PART ITEM	01A	ST A002	COINDOOR 1 DBA, 1 SLOT	1
	01B	ST-FM-51-R1	COINDOOR HINGE	1
	01C	EA0545	SWITCH RECTA GREEN BUTTON WITH LAMP	1
	01D	EA0523	SWITCH LARGE RED MEGA BUTTON	1
	01E	EA0507	SWITCH RECTA BLUE BUTTON WITH LAMP	1
	01F	STG-SA-16-RO	CONTROL PANEL BOX	1
	01G	STG-FM-23-RO	SPEAKER GRILL	2
	01H	EA1201	SPEAKER 4" 8 ohm 40W	2
	01I	ST-SA-59-RO	CASH BOX	1
	01J	ST-SA-60-RO	HOUSING CASH BOX	1
	01K	STG E001	SERVICE PANEL ASSEMBLY	1
	-	-	SERVICE BRACKET	1
	SUB	EA1252	COIN COUNTER 12V REAR MOUNTING	4
		EA0520	SWITCH SMALL ROUND GREEN BUTTON	2
		EA0519	SWITCH SMALL ROUND RED BUTTON	2
		EE0689	POTENSIO CARBON DUAL GANG 50 K OHM	1
		STG H002a	HARNESS SERVICE ASSEMBLY	1
01L		-	BASE FRAME	1
01M	-	COUPLE	1	
01N	-	DISPENCER FUNEL	1	
01O	-	DUCK END HOLDER	1	
01P	-	CONTROL PANEL BASE	1	
01Q	-	MOUNTING BASE	2	
01R	HM0002	RUBBER MOUNTING	2	
-	STG H002	CONTROL PANEL HARNESS	1	
-	AT3419	STICKER PLAYER INSTRUCTION	1	
-	AT3313	STICKER CONTROL PANEL	1	
-	AT3312	ACRILLIC PLAYER INSTRUCTION SET	1	
02	ST A002	COINDOOR 1 DBA 1 SLOT ASSY	1	
PART ITEM	02A	HM0004	LOCK ANGLE	1
	02B	ST-FM-53-RO	THANDLE COVER	1
	02C	ST-SA-11-RO	COIN DOOR DBA METAL ONLY	1
	02D	-	DOLLAR BILL ACCEPTOR	1
	02E	HM0014	COIN MECHANISM	1
	02F	EA0520	SWITCH SMALL ROUND GREEN BUTTON	1
	02G	EA0519	SWITCH SMALL ROUND RED BUTTON	1
	-	ST H002	COINDOOR 1 DBA 1 SLOT HARNESS	1

## OPTIONAL PARTS

-	ST A002a	COINDOOR DOUBLE SLOT ASSY	1	
ITEM	-	ST-SA-61-RO	COIN DOOR DBA METAL ONLY	1
	-	ST H002a	COINDOOR DOUBLE SLOT HARNESS	1
	-	AT3313	SECTION STICKER COIN DOOR	1