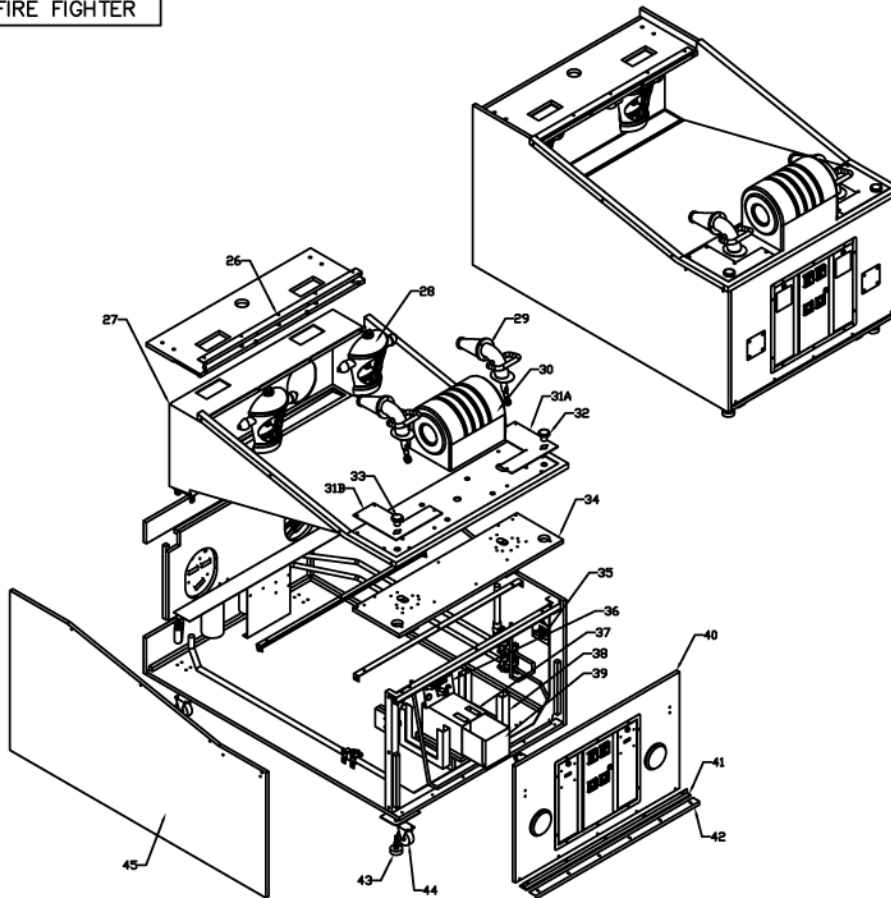


# FIRE FIGHTER



NO	CODE	DESCRIPTION	QTY
26	FF1-FM-010-RD	ACRILIC COVER INNER BRACKET	1
27	HM2560	FIBER GLASS TUBE BLUE COLOUR	1
28	FF A008	TARGET ASSEMBLY	2
29	FF A008	GUN ASSEMBLY	1
30	HM2562	FIBER GLASS MOUND HOUSE FF	1
31A	A31188	STICKER ACRILIC PLAT INSTRUCTION RIGHT	1
31B	A31188	STICKER ACRILIC PLAT INSTRUCTION LEFT	1
32	EA0808	SWITCH MEDIUM BLUE ROUND BUTTON	1
33	EA0808	SWITCH MEDIUM YELLOW ROUND BUTTON	1
34	FF A007	CONTROL PANEL BASE	1
35	HM2009	SUPER CLAMP	2
36	FF E203	SERVICE PANEL ASSEMBLY	1
36A	FF1-FM-006-RD	SERVICE PANEL METAL ONLY	1
36B	EA0819	SWITCH SMALL ROUND RED BUTTON	1
36C	EA0820	SWITCH SMALL ROUND GREEN BUTTON	1
36D	EA1282	CORN COUNTER 12V REAR MOUNTING	4
36E	EA2429	POTENTIOMY CARBON DUAL GANG 50KOHM	1
36F	EP0802	KNOB VOLUME	1
-	FF H004	SERVICE PANEL HARNESS	1
37	FF1-FM-043-RD	HOUSING CASH BOX	1
38	FF1-FM-034-RD	TICKET HOLDER	2
39	FF1-FM-042-RD	CASH BOX	1
40	FF A008	FRONT DOOR ASSEMBLY	1
41	FF1-FM-018-RD	FRONT DOOR HINGE	1
42	FF1-FM-0109-RD	FRONT DOOR HINGE BRACKET	1
43	HM0002	RUBBER MACHINE GLIDE	2
44	HM0006	CASTER WHEEL 3" SWIVEL MERRC VERO 2	
45	FF A014	SIDE LOWER CABINET WITH STICKER	1R, 1L
45A	A31183	STICKER SIDE RIGHT LOWER CABINET	1
45B	A31184	STICKER SIDE LEFT LOWER CABINET	1