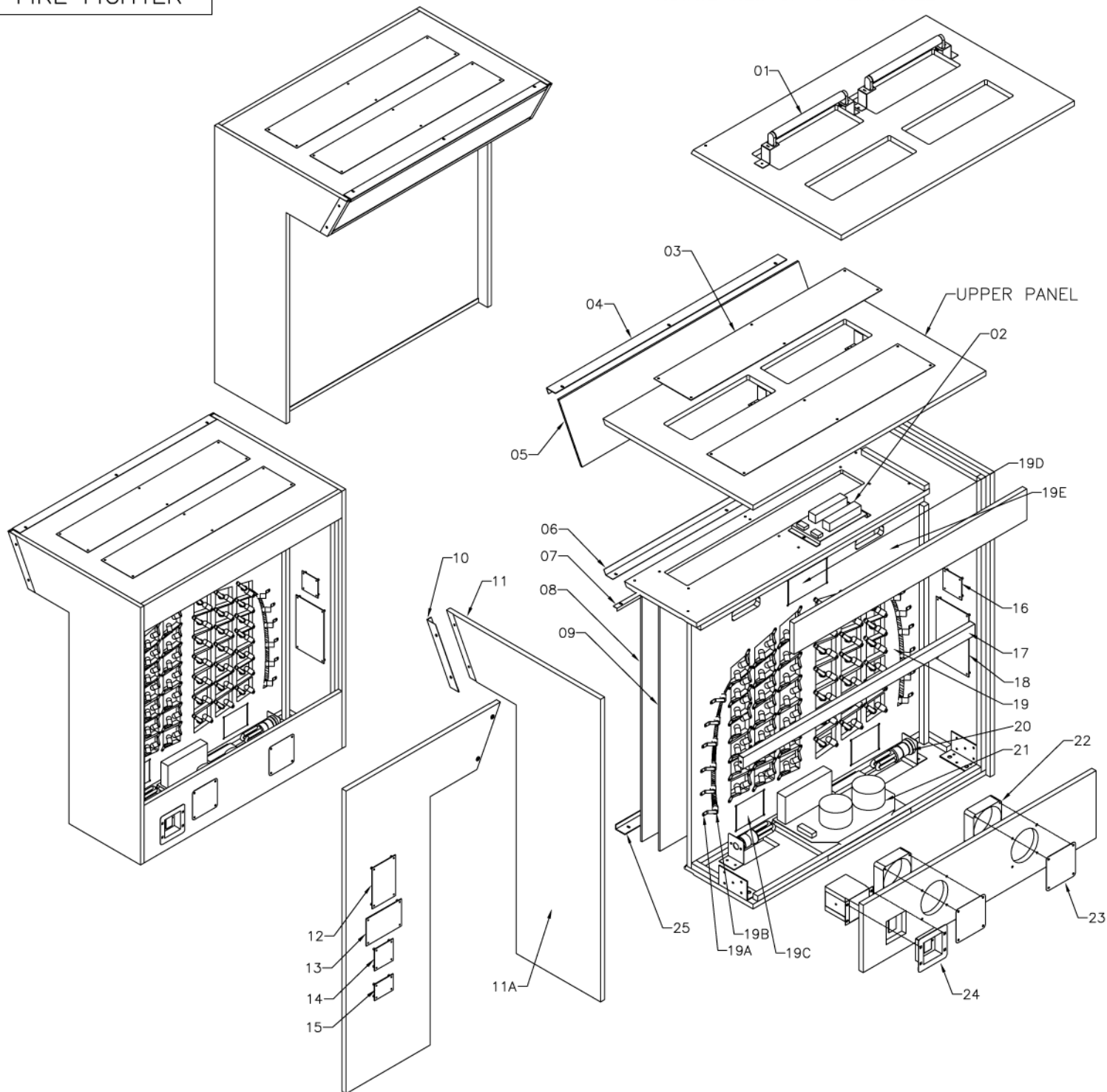


FIRE FIGHTER

ROTATE VIEW OF UPPER PANEL



NO	CODE	DESCRIPTION	QTY
01	FF E001	LIGHT HEADER ASSEMBLY	2
01A	FF1-FM-045-R0	NEON BRACKET METAL ONLY	4
01B	EA0205	LAMP NEON 15W COOL WHITE	2
01C	EPO434	END CAP HOLDER MODEL 713 HS	4
02	FF A003	BALLAST ASSEMBLY	1
02A	FF1-FM-002-R0	BALLAST BRACKET METAL ONLY	1
02B	EA1359	BALLAST SP2 15W 120VAC 60Hz	2
02C	EA0311	STARTER BASE FSB-003 UL	2
03	FF1-FM-012-R0	UPPER GRILL	2
04	FF1-FM-023-R0	MYLAR UPPER RETAINER	1
05	HM2510	STICKER ACRILLIC EMBOSS TOP HEADER	1
06	FF1-FM-022-R0	MYLAR LOWER REATAINER	1
07	FF1-FM-029-R0	UPPER GLASS RETAINER	1
08	HM 1927	TEMPERED SAFETY GLASS	1
09	AT3165	STICKER ACRILLIC FRONT PLAYFIELD	1
10	FF1-FM-027-R0	MYLAR SIDE RETAINER	1R,1L
11	FF A013	SIDE UPPER CABINET WITH STICKER	1R,1L
11A	AT3161	STICKER TOP PANEL R/L	1R,1L
12	BAFB66A	PCB FB66A MPU CONTROLLER BBB LH	1
13	BAFB52C	PCB FB52C 16 Mhz Z80 SOUND BOARD	1
14	BA0029	PCB FB29 STEREO AUDIO AMPLIFIER	1
15	BA1446	PCB FB46 2 WAY SOLID STATE RELAY HH	1
16	BAFB78	PCB FB78 8 CHANEL AC DRIVER	1
17	FF1-FM-011-R0	BACKBRACE	1
18	BA2001	PCB FB47 32 CHANEL AC DRIVER	1
19	FF A001	FRONT PLAYFIELD ASSEMBLY	1
19A	EA0302	LAMP HOLDER SC BAYONET 14-152F	96
19B	EA0245	LAMP # 1251 28V, 0.23A, C-2F	96
19C	BA1440	PCB FB40 2", 7 Seg, 2 DIGIT DISPLAY	2
19D	BAFB74	PCB FB74 2" 3 DIGIT DISPLAY BBB	1
19E	FF1-FW-014-R0	PANEL UPPER CABINET	1
-	FF H001	FRONT PLAYFIELD HARNESS	1
20	FF A002	DISPLAY LIGHT ASSEMBLY	2
20A	FF1-FM-013-R0	BRACKET FITTING LAMP	2
20B	EA0253	FLOURECENT 120V / 60Hz 20w	2
20C	EPO435	LAMP FITTING HOLDER E26	2
21	FF A004	POWER ASSEMBLY	1
21A	EA1015	POWER SUPPLY +5V 15A +12V 4A -5V 1A	1
21B	EA0822	TRAFO MULTI TAP / 2 x 11.5 x 15A	2
21C	EA0614	300 VAC/VDC TERMINAL BLOCK	2
21D	EA0042	FUSE BLOCK WITH FUSE	4
21E	FF1-FM-006-R0	BRACKET TRAFO	1
-	FF H002	POWER HARNESS	1
22	EA1371	EXHAUST FAN 4" AC 250 V	2
23	FF1-FM-044-R0	FAN GRILL	2
24	FF E002	DB BOX ASSEMBLY	1
	FF E002a	DB BOX METAL ONLY	1
	EA1356	BINDING POST	1
	EA1358	SPLIT CORE EMI FILTER FOR CE MACHINE	1
	EA0649	IEC TYPE NOISE EMI FILTER	1
	FF H003	DB BOX HARNES	1
	EA0635	POWER LEAD MOLDED IEC TO 3 PIN USA	1
	EA0636	POWER LEAD MOLDED IEC TO 2 PIN INDO	1
	EA0637	POWER LEAD MOLDED IEC TO 3 PIN AU	1
	EA0639	POWER LEAD MOLDED IEC TO 3 PIN UK	1
25	FF1-FM-021-R0	LOWER GLASS RETAINER	1