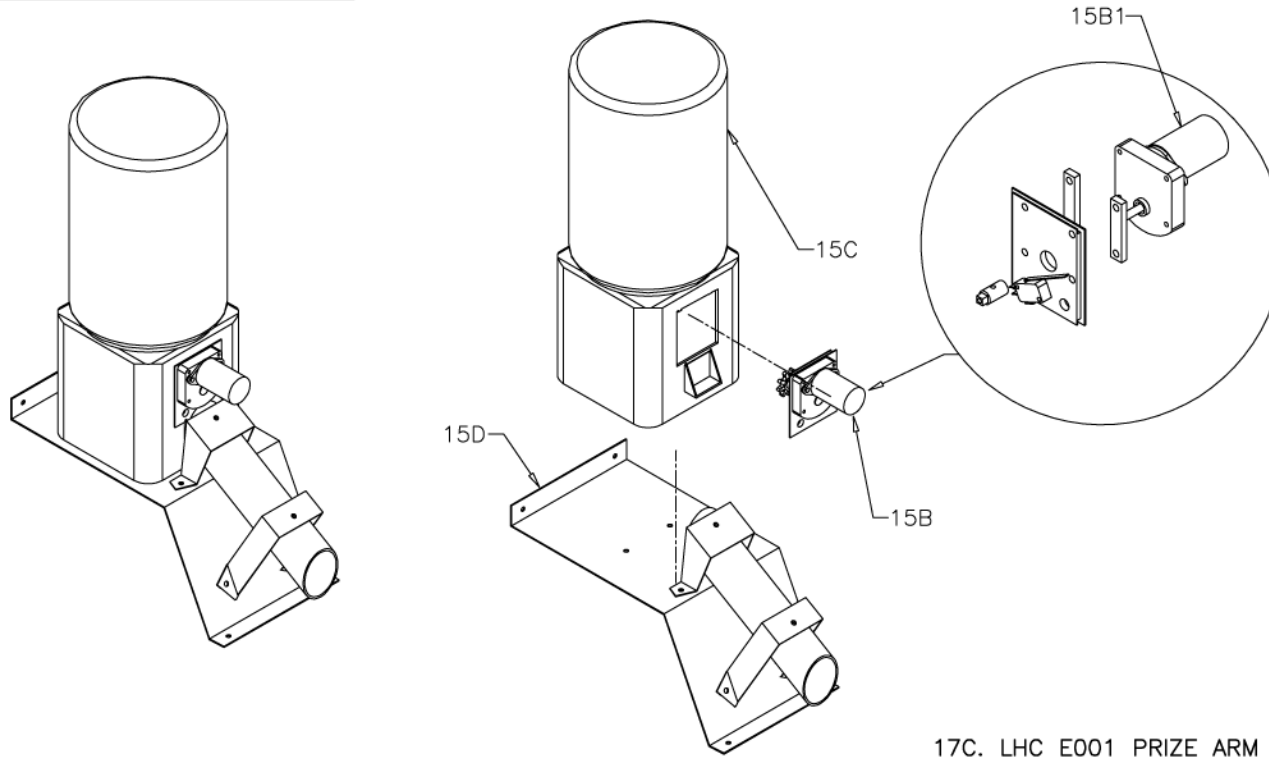
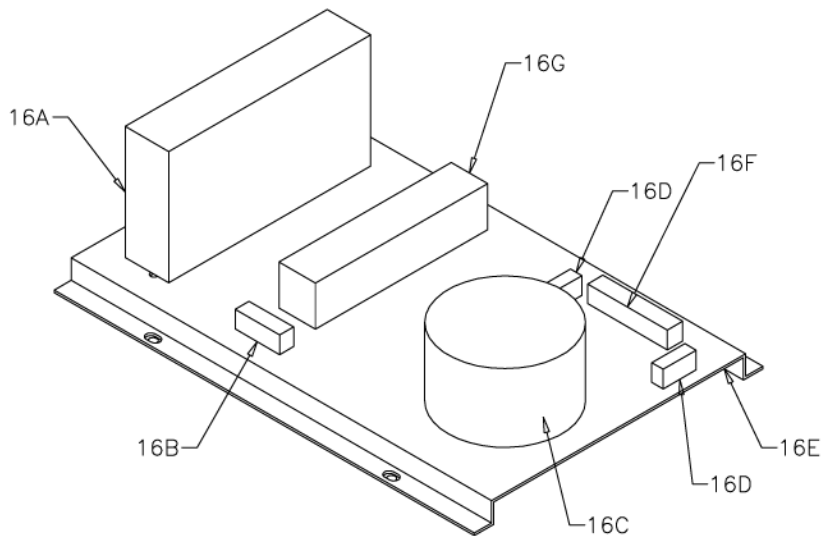


15. CD A001 CAPSUL DISPENSER ASSEMBLY



NO	PART NO	DESCRIPTION	QTY	
15	CD A001	CAPSUL DISPENSER ASSEMBLY	1 SET	
SUB ASSY	15A	BA0005	PCB TICKET INTERFACE	1
	15B	CD A001A	MOTOR CAPSULE DISP ASSEMBLY	1 SET
	15B1	EA1158	MOTOR 8000DC 12VDC 10-18 RPM	1
	15C	HA2073	CAPSULE DISPENSER KITS 1.5" DIA 38mm	1
	15D	CD A001B	CAPSULE DISPENSER BRACKET	1 SET
	-	EA0406	MICROSWITCH LEVER 51	1
-	LHC H001	CAPSULE DISPENSER HARNESS	1	
16	LHC E002	POWER ASSEMBLY	1 SET	
PART ITEM	16A	EA1003	POWER SUPPLY +5V 15A +12V 4A -5V 1A	1
	16B	EA0311	STARTER BASE UL	1
	16C	EA0815	TRAFORMER WITH CONECTOR	1
	16D	EA0042	FUSE HOLDER	2
	16E	LHC-FM-39-R0	TRAF0 BRACKET	1
	16F	EA0814	TERMINAL BLOCK UL	1
	16G	EA1359	BALLAST 240V, 15W (OPTIONAL FOR USA)	1
-	LHC E007	POWER HARNESS	1	
17	LHC E001	PRIZE ARM LONG ASSY WITH PCB	1 SET	
PART ITEM	-	EA1155A	PRIZE ARM LONG ASSY WITHOUT PCB	1
	17C1	EA1155C	12VDC MOTOR JM 300-3259	1
	17C2	EA1155B	PRIZE DISP ARM SILVER PLASTIC ONLY	1
	17C3	EA1155E	PRIZE DISP ARM TONGUE SLIDE	1
	17C4	BAFB77a	PCB FB77A PRIZE ARM	1
	17C5	LHC-FP-002-R0	MIRROR LED PANEL	1
	17C6	EA1155F	PRIZE DISP ARM SPIRAL, 16.5 +/-1.5 ROT	1
	17C7	EA1155D	PRIZE DISP ARM LOCKING PIN LENGHT,28 CM	1
-	AT3097	STICKER PRIZE ARM	1	

16. LHC E007 POWER ASSEMBLY



17C. LHC E001 PRIZE ARM LONG ASSY WITH PCB

