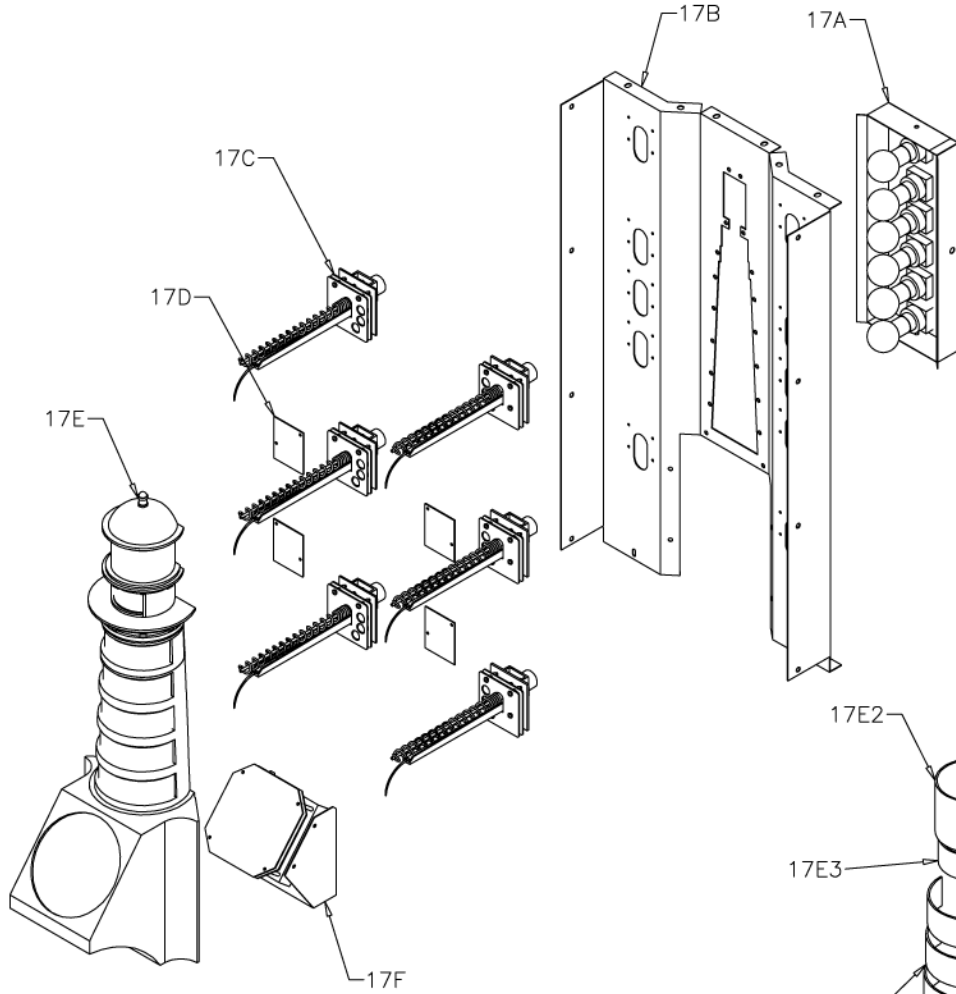
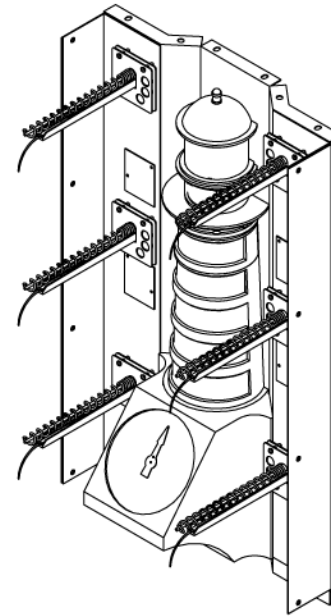
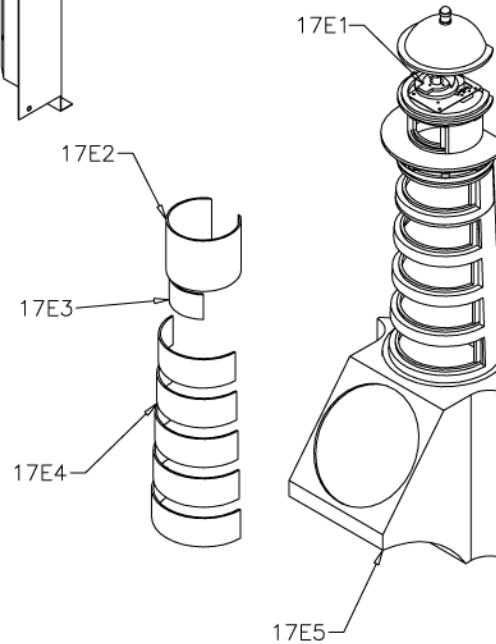


| NO | PART NO | DESCRIPTION | QTY | |
|-----------|---------------|------------------------------------|----------------------------------------------|---|
| 17 | LHC E003 | DISPLAY PANEL ASSEMBLY | 1 | |
| PART ITEM | 17A | LHC E003a | PANEL LAMP ASSEMBLY | 1 |
| | - | LHC-FM-49-RO | PANEL LAMP BRACKET METAL ONLY | 1 |
| | - | EP0435 | LAMP FITTING HOLDER E26 UL | 6 |
| | - | EA0250 | TRAFFIC LAMP E27 40W / 220-250 V | 6 |
| | - | EA0251 | TRAFFIC LAMP E27-ES 40W/110-130V DEST TO USA | 6 |
| 17B | LHC-FM-20-RO | PANEL METAL ONLY | 1 | |
| 17C | LHC E001 | PRIZE ARM LONG ASSY WITH PCB | 6 | |
| 17D | LHC-FP-009-RO | PRIZE ARM PANEL | 4 | |
| 17E | LHC E003b | FIBER GLASS ASSEMBLY | 1 | |
| 17E1 | EA0537 | LAMP LTF 8000 REFLECTOR | 1 | |
| 17E2 | LHC-FP-004-RO | ACRILLIC TOP COVER | 1 | |
| 17E3 | LHC-FP-006-RO | ACRILLIC WIN COVER | 1 | |
| 17E4 | LHC-FP-005-RO | ACRILLIC LEVEL COVER | 5 | |
| 17E5 | HM2401 | FIBER GLASS MOLDING | 1 | |
| 17F | LHC E003c | WHEEL ASSEMBLY | 1 | |
| 17F1 | LHC-FP-012-RO | ACRILLIC WHEEL PANEL COVER | 1 | |
| 17F2 | LHC-FM-71-RO | SPIN WHEEL NEEDLE | 1 | |
| 17F3 | LHC-SA-68-R1 | STEPPER MOTOR SHAFT | 1 | |
| 17F4 | LHC-FP-011-RO | ACRILLIC WHEEL LAMP COVER | 1 | |
| 17F5 | BAFB75 | PCB FB75 LED WHEEL FOR LIGHTHOUSE | 1 | |
| 17F6 | LHC-FM-69-RO | STEPPER MOTOR ADJUSTER | 1 | |
| 17F7 | LHC-FM-70-RO | STEPPER MOTOR HOLDER | 1 | |
| 17F8 | EA1162 | STEPPER MOTOR BY42-4801 60 Ohm 12V | 1 | |
| 17F9 | LHC-FM-57-RO | WHEEL BRACKET METAL ONLY | 1 | |



17E. LHC E003b FIBER GLASS MOULDING



17F. LHC E003c WHEEL ASSEMBLY

