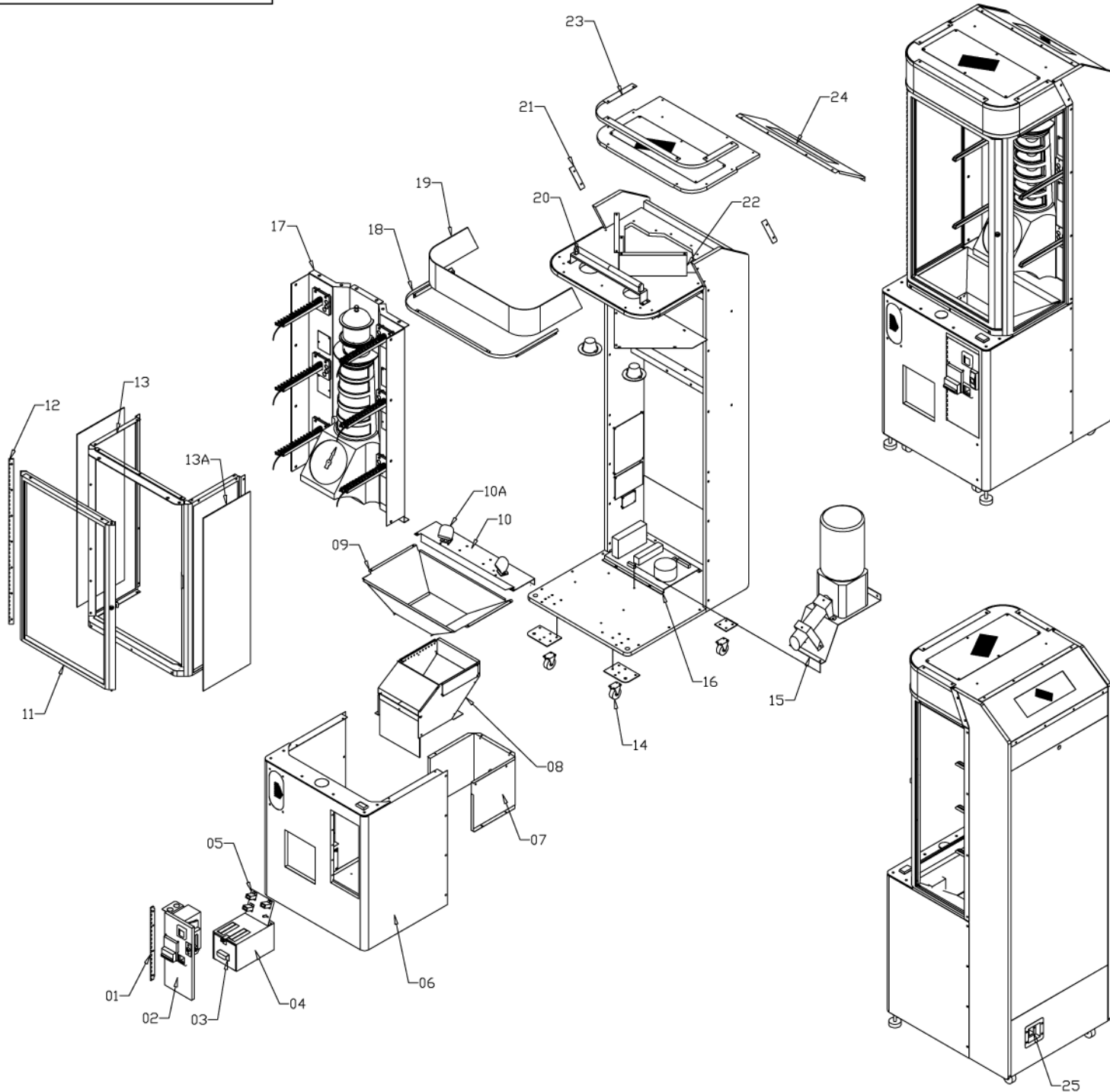


# LIGHTHOUSE CLUB



NO	PART NO	DESCRIPTION	QTY
01	LHC-FM-51-R1	COIN DOOR HINGE	1
02	LHC A002b	COIN DOOR ASSY 1DBA, 1 SLOT	1
03	LHC-SA-59-RO	CASH BOX	1
04	LHC-SA-60-RO	HOUSING CASHBOX	1
05	LHC E004	COIN COUNTER PANEL ASSEMBLY	1
	LHC-FM-38-RO	COIN COUNTER BRACKET	1
	EA1252	COIN COUNTER 12V REAR MOUNTING	3
	EE0689	POTENSIO CARBON DUAL GANG 50K OHM	1
	EP0802	KNOB VOLUME	1
06	LHC A003	FRONT PANEL ASSEMBLY	1
	LHC-SA-01-RO	FRONT PANEL METAL ONLY	1
	LHC-FP-06-RO	ACRILLIC CONTROL PANEL	1
	LHC-FM-37-RO	SPEAKER GRILL	1
	EA0533	PUSH BUTTON RED	1
	EA0507	SWITCH RECT GREEN BUTTON WITH LAMP	1
	BA2601	PCB51 2cm 4 DIGIT DISPLAY	1
	AT3092	STICKER STK FRONT LOWER CABINET	1
	EA1201	SPEAKER 4" 8 OHM 40 W	2
07	LHC-FM-02-RO	PRIZE RECEIVAL BOX	1
08	LHC A004	PRIZE BOX ASSEMBLY	1
	LHC A004a	PRIZE BOX METAL ONLY	1
	BA2602	PCB59a SB PRIZE SENSOR MASTER	1
	BA2603	PCB59b SB PRIZE SENSOR SLAVE	1
	LHC A004b	PRIZE DOOR WITH STICKER	1
09	LHC-SA-09-RO	PRIZE CHUTE ASSEMBLY	1
10	LHC-FM-10-RO	PANEL LOWER RETAINER	1
	10A EA0225	XENON FLASH LAMP MODULES 12VDC	2
11	LHC A001	FRONT DOOR ASSEMBLY	1
12	LHC-FM-56-RO	FRONT DOOR HINGE	1
13	LHC A005	SIDE SKIN ASSEMBLY	1
	13A HM1917	SIDE GLASS	2
14	HMO016	CASTOR 2" SWIVEL	4
15	CD A001	CAPSULE DISPENCER ASSEMBLY	1
16	LHC E002	POWER ASSEMBLY	1
17	LHC E003	DISPLAY PANEL ASSEMBLY	1
18	LHC-FM-22-RO	MYLAR LOWER BRACKET	1
19	AT3094	ACRILLIC HEADER	1
20	LHC E006	TOP LIGHT LIGHTHOUSE	1
	EA0205	LAMPU NEON 15W COOL WHITE	1
	EP0434	END CAP HOLDER MODEL 713 HS	2
	LHC-FM-15-RO	TOP UL BRACKET	1
21	LHC-FM-36-RO	MYLAR SIDE RETAINER	2
22	LHC-FM-35-RO	MYLAR DIVIDER	1
23	LHC-FM-21-RO	MYLAR TOP RETAINER	1
24	LHC-SA-19-RO	MYLAR BACK COVER	1
25	LHC E005	DB BOX ASSEMBLY	1
	LHC E005a	DB BOX METAL ONLY	1
	EA1356	BINDING POST	1
	EA1358	SPLIT CORE EMI FILTER FOR CE MACHINE	1
	EA0649	IEC TYPE NOISE EMI FILTER	1
	LHC H005	DB BOX HARNES	1
	EA0635	POWER LEAD MOLDED IEC TO 3 PIN USA	1
	EA0636	POWER LEAD MOLDED IEC TO 2 PIN INDO	1
	EA0637	POWER LEAD MOLDED IEC TO 3 PIN AU	1
	EA0639	POWER LEAD MOLDED IEC TO 3 PIN UK	1
-	LHC H004	MAIN HARNES	1