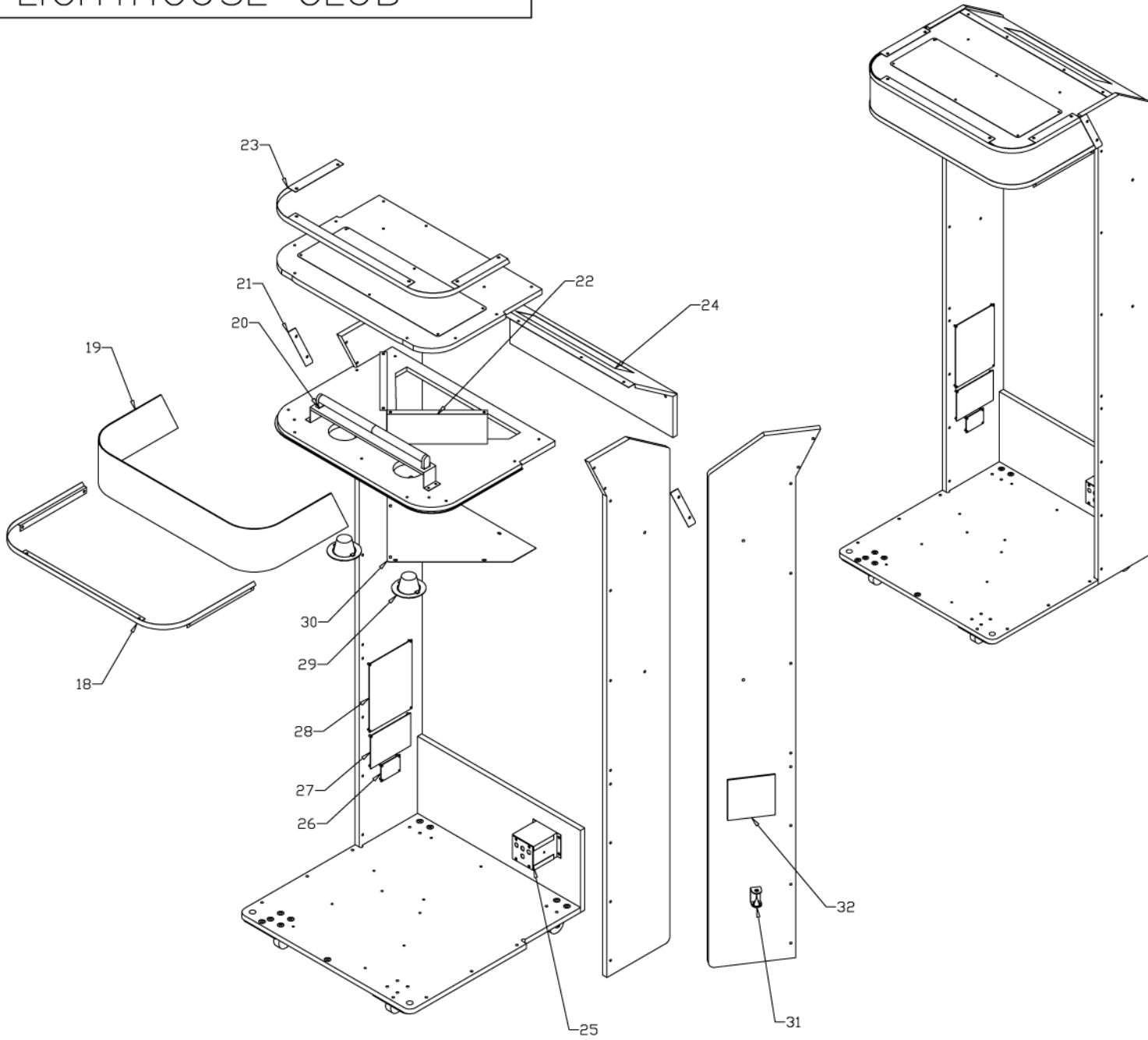


# LIGHTHOUSE CLUB



NO	PART NO	DESCRIPTION	QTY
18	LHC-FM-22-R0	MYLAR LOWER BRACKET	1
19	-	ACRILIC HEADER	1
20	LHC E006	TOP LIGHT LIGHTHOUSE	1
21	LHC-FM-36-R0	MYLAR SIDE RETAINER	2
22	LHC-FM-35-R0	MYLAR DIVIDER	1
23	LHC-FM-21-R0	MYLAR TOP RETAINER	1
24	LHC-SA-19-R0	MYLAR BACK COVER	1
25	LHC E005	DB BOX ASSEMBLY	1
26	BA0029	PCBFB29 STEREO AUDIOAMPLIFIER	1
27	BAFB52C	PCB FB52C 16 MHz Z80	1
28	BAFB66A	PCB FB66A MPU CONTROLER	1
29	HA0001 ST	DOWNLIGHT ASSEMBLY	1
	EA0312	HOLDER DOWNLIGHT SWIVEL ACTION	1
	EA0209	DOWN LIGHT 12 V 20 W	1
30	LHC-FM-14-R0	DOWN LIGHT GRILL	1
31	EA0516	SWITCH TILT ASSEMBLY	1
32	BAFB78	PCB FB78 8 CHANEL AC DRIVER	1