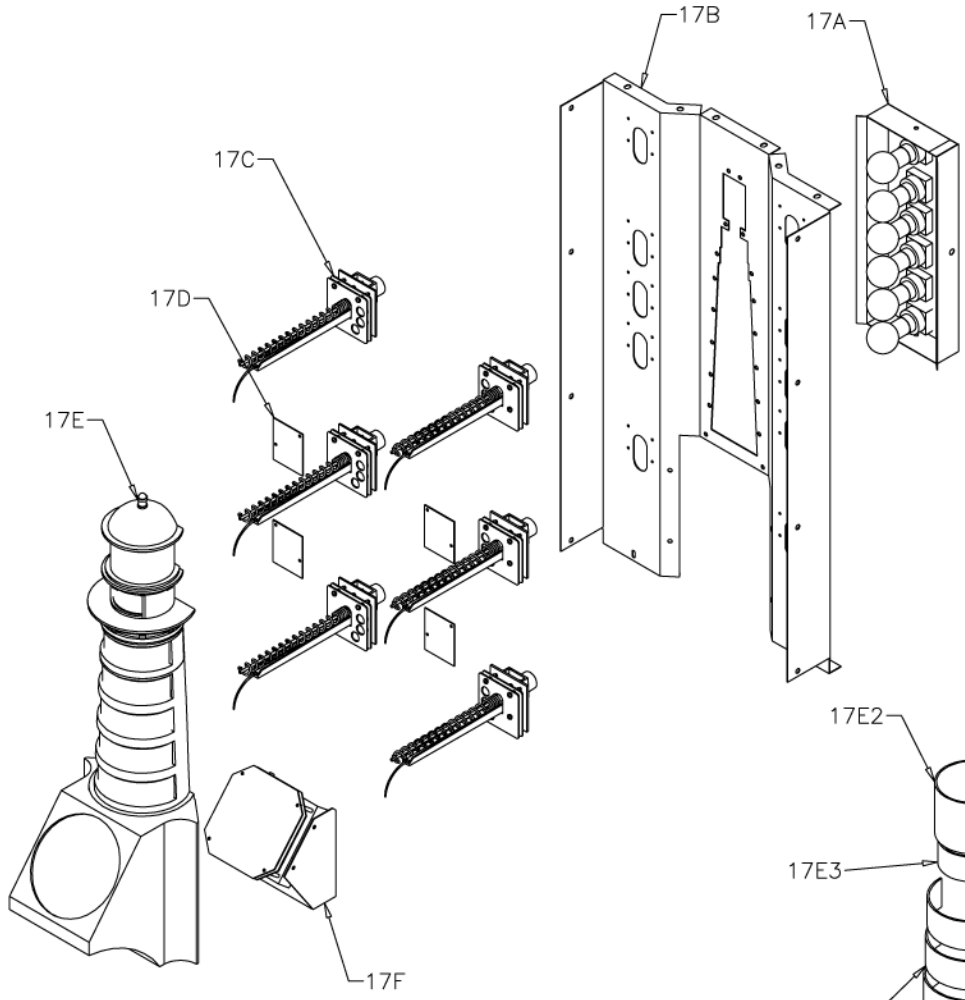
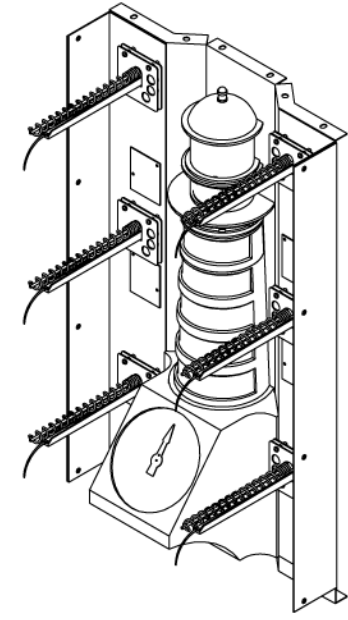
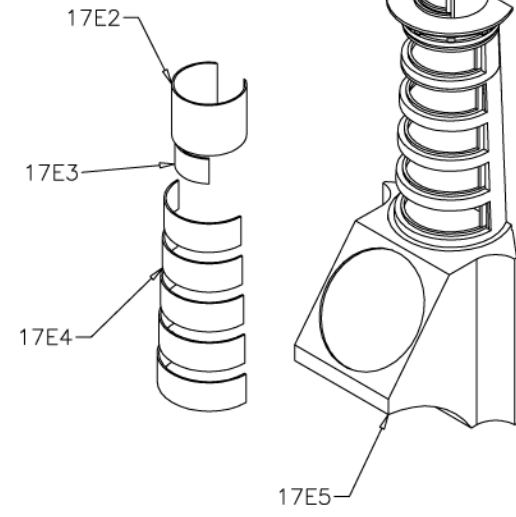


NO	PART NO	DESCRIPTION	QTY	
17	LH1 E003	DISPLAY PANEL ASSEMBLY	1	
PART ITEM	17A	LH1 E003a	PANEL LAMP ASSEMBLY	1
	-	LH1-FM-49-RO	PANEL LAMP BRACKET METAL ONLY	1
	-	EP0435	LAMP FITTING HOLDER E26 UL	6
	-	EA0250	TRAFFIC LAMP E27 40W / 220-250 V	6
	-	EA0251	TRAFFIC LAMP E27-ES 40W/110-130V DEST TO USA	6
17B	LH1-FM-20-RO	PANEL METAL ONLY	1	
17C	LH1 E001	PRIZE ARM LONG ASSY WITH PCB	6	
17D	LH1-FP-009-RO	PRIZE ARM PANEL	4	
17E	LH1 E003b	FIBER GLASS ASSEMBLY	1	
17E1	EA0537	LAMP LTF 8000 REFLECTOR	1	
17E2	LH1-FP-004-RO	ACRILLIC TOP COVER	1	
17E3	LH1-FP-006-RO	ACRILLIC WIN COVER	1	
17E4	LH1-FP-005-RO	ACRILLIC LEVEL COVER	5	
17E5	HM2401	FIBER GLASS MOLDING	1	
17F	LH1 E003c	WHEEL ASSEMBLY	1	
17F1	LH1-FP-012-RO	ACRILLIC WHEEL PANEL COVER	1	
17F2	LH1-FM-71-RO	SPIN WHEEL NEEDLE	1	
17F3	LH1-SA-68-R1	STEPPER MOTOR SHAFT	1	
17F4	LH1-FP-011-RO	ACRILLIC WHEEL LAMP COVER	1	
17F5	BAFB75	PCB FB75 LED WHEEL FOR LIGHTHOUSE	1	
17F6	LH1-FM-69-RO	STEPPER MOTOR ADJUSTER	1	
17F7	LH1-FM-70-RO	STEPPER MOTOR HOLDER	1	
17F8	EA1162	STEPPER MOTOR BY42-4801 60 Ohm 12V	1	
17F9	LH1-FM-57-RO	WHEEL BRACKET METAL ONLY	1	



17E. LH1 E003b FIBER GLASS MOULDING



17F. LH1 E003c WHEEL ASSEMBLY

