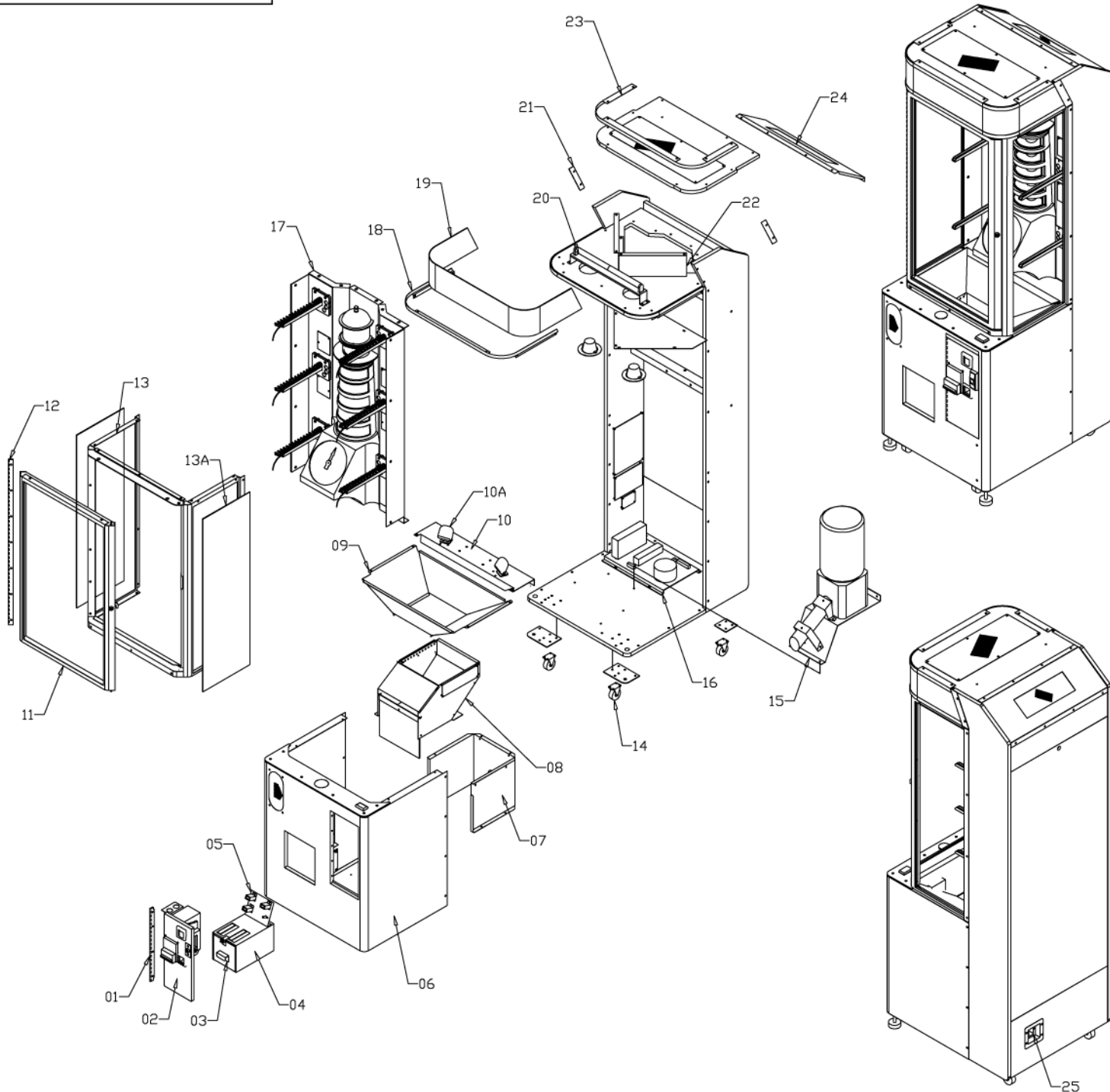


LIGHTHOUSE STANDARD



| NO | PART NO | DESCRIPTION | QTY |
|----|--------------|--------------------------------------|-----|
| 01 | LH1-FM-51-R1 | COIN DOOR HINGE | 1 |
| 02 | LH1 A002b | COIN DOOR ASSY 1DBA, 1 SLOT | 1 |
| 03 | LH1-SA-59-RO | CASH BOX | 1 |
| 04 | LH1-SA-60-RO | HOUSING CASHBOX | 1 |
| 05 | LH1 E004 | COIN COUNTER PANEL ASSEMBLY | 1 |
| | LH1-FM-38-RO | COIN COUNTER BRACKET | 1 |
| | EA1252 | COIN COUNTER 12V REAR MOUNTING | 3 |
| | E00689 | POTENSIO CARBON DUAL GANG 50K OHM | 1 |
| | EP0602 | KNOB VOLUME | 1 |
| 06 | LH1 A003 | FRONT PANEL ASSEMBLY | 1 |
| | LH1-SA-01-RO | FRONT PANEL METAL ONLY | 1 |
| | LH1-FP-06-RO | ACRILLIC CONTROL PANEL | 1 |
| | LH1-FM-37-RO | SPEAKER GRILL | 1 |
| | EA0556 | PUSH BUTTON BLUE | 1 |
| | EA0507 | SWITCH RECT GREEN BUTTON WITH LAMP | 1 |
| | BA2601 | PCB51 2cm 4 DIGIT DISPLAY | 1 |
| | AT2952 | STICKER STK FRONT LOWER CABINET | 1 |
| | EA1201 | SPEAKER 4" 8 OHM 40 W | 2 |
| 07 | LH1-FM-02-RO | PRIZE RECEIVAL BOX | 1 |
| 08 | LH1 A004 | PRIZE BOX ASSEMBLY | 1 |
| | LH1 A004a | PRIZE BOX METAL ONLY | 1 |
| | BA2602 | PCB59a SB PRIZE SENSOR MASTER | 1 |
| | BA2603 | PCB59b SB PRIZE SENSOR SLAVE | 1 |
| | LHC A004b | PRIZE DOOR WITH STICKER | 1 |
| 09 | LH1-SA-09-RO | PRIZE CHUTE ASSEMBLY | 1 |
| 10 | LH1-FM-10-RO | PANEL LOWER RETAINER | 1 |
| | 10A EA0225 | XENON FLASH LAMP MODULES 12VDC | 2 |
| 11 | LH1 A001 | FRONT DOOR ASSEMBLY | 1 |
| 12 | LH1-FM-56-RO | FRONT DOOR HINGE | 1 |
| 13 | LH1 A005 | SIDE SKIN ASSEMBLY | 1 |
| | 13A HM1917 | SIDE GLASS | 2 |
| 14 | HMO016 | CASTOR 2" SWIVEL | 4 |
| 15 | CD A001 | CAPSULE DISPENCER ASSEMBLY | 1 |
| 16 | LH1 E002 | POWER ASSEMBLY | 1 |
| 17 | LH1 E003 | DISPLAY PANEL ASSEMBLY | 1 |
| 18 | LH1-FM-22-RO | MYLAR LOWER BRACKET | 1 |
| 19 | AT2954 | ACRILLIC HEADER | 1 |
| 20 | LH1 E006 | TOP LIGHT LIGHTHOUSE | 1 |
| | EA0205 | LAMPU NEON 15W COOL WHITE | 1 |
| | EP0434 | END CAP HOLDER MODEL 713 HS | 2 |
| | LH1-FM-15-RO | TOP UL BRACKET | 1 |
| 21 | LH1-FM-36-RO | MYLAR SIDE RETAINER | 2 |
| 22 | LH1-FM-35-RO | MYLAR DIVIDER | 1 |
| 23 | LH1-FM-21-RO | MYLAR TOP RETAINER | 1 |
| 24 | LH1-SA-19-RO | MYLAR BACK COVER | 1 |
| 25 | LH1 E005 | DB BOX ASSEMBLY | 1 |
| | LH1 E005a | DB BOX METAL ONLY | 1 |
| | EA1356 | BINDING POST | 1 |
| | EA1358 | SPLIT CORE EMI FILTER FOR CE MACHINE | 1 |
| | EA0649 | IEC TYPE NOISE EMI FILTER | 1 |
| | LH1 H005 | DB BOX HARNES | 1 |
| | EA0635 | POWER LEAD MOLDED IEC TO 3 PIN USA | 1 |
| | EA0636 | POWER LEAD MOLDED IEC TO 2 PIN INDO | 1 |
| | EA0637 | POWER LEAD MOLDED IEC TO 3 PIN AU | 1 |
| | EA0639 | POWER LEAD MOLDED IEC TO 3 PIN UK | 1 |
| - | LH1 H004 | MAIN HARNES | 1 |