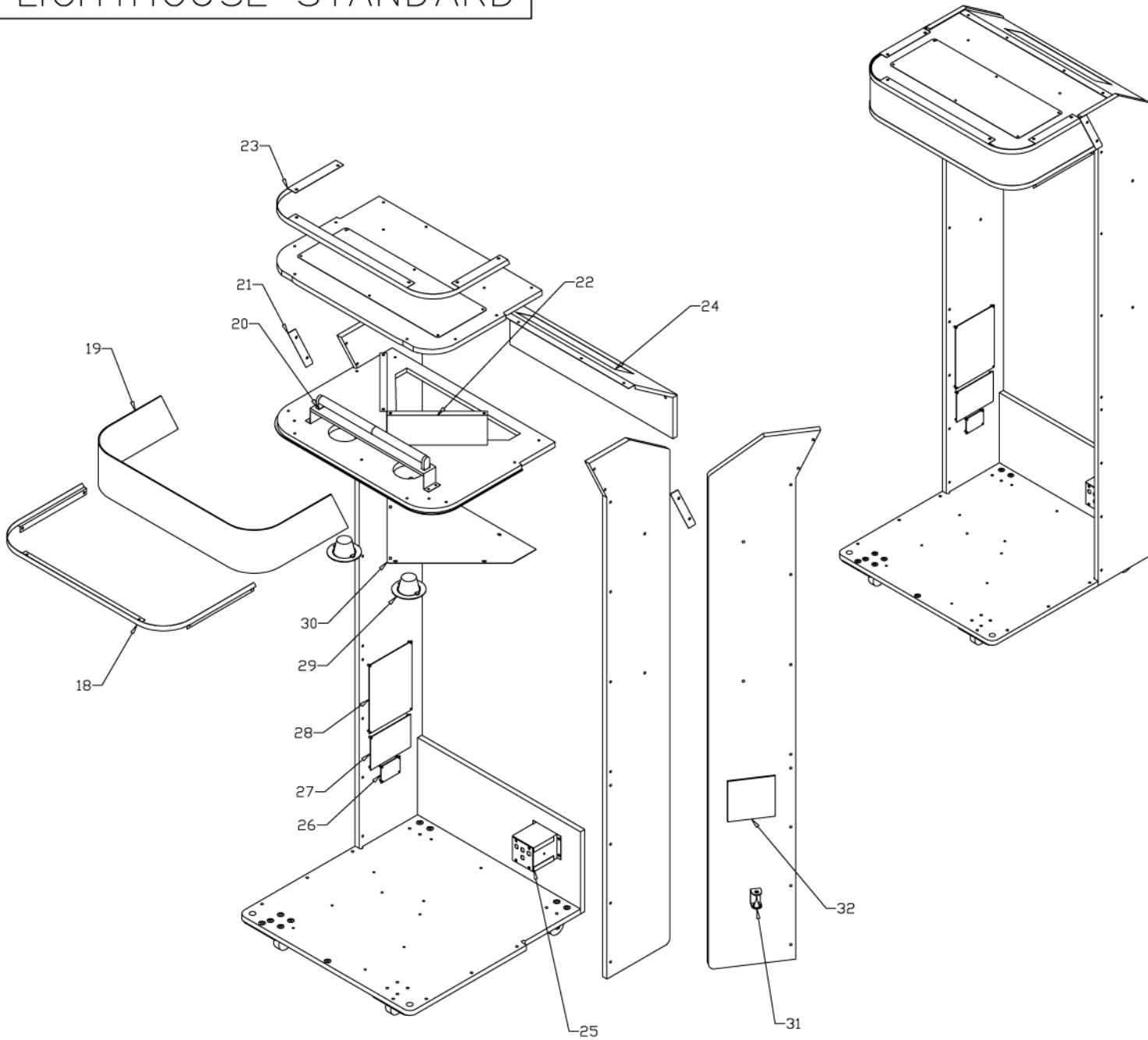


# LIGHTHOUSE STANDARD



NO	PART NO	DESCRIPTION	QTY
18	LH1-FM-22-RO	MYLAR LOWER BRACKET	1
19	-	ACRILIC HEADER	1
20	LH1 E006	TOP LIGHT LIGHTHOUSE	1
21	LH1-FM-36-RO	MYLAR SIDE RETAINER	2
22	LH1-FM-35-RO	MYLAR DIVIDER	1
23	LH1-FM-21-RO	MYLAR TOP RETAINER	1
24	LH1-SA-19-RO	MYLAR BACK COVER	1
25	LH1 E005	DB BOX ASSEMBLY	1
26	BA0029	PCBFB29 STEREO AUDIOAMPLIFIER	1
27	BAFB52C	PCB FB52C 16 MHz Z80	1
28	BAFB66A	PCB FB66A MPU CONTROLER	1
29	HA0001 ST	DOWNLIGHT ASSEMBLY	1
	EA0312	HOLDER DOWNLIGHT SWIVEL ACTION	1
	EA0209	DOWN LIGHT 12 V 20 W	1
30	LH1-FM-14-RO	DOWN LIGHT GRILL	1
31	EA0516	SWITCH TILT ASSEMBLY	1
32	BAFB78	PCB FB78 8 CHANEL AC DRIVER	1