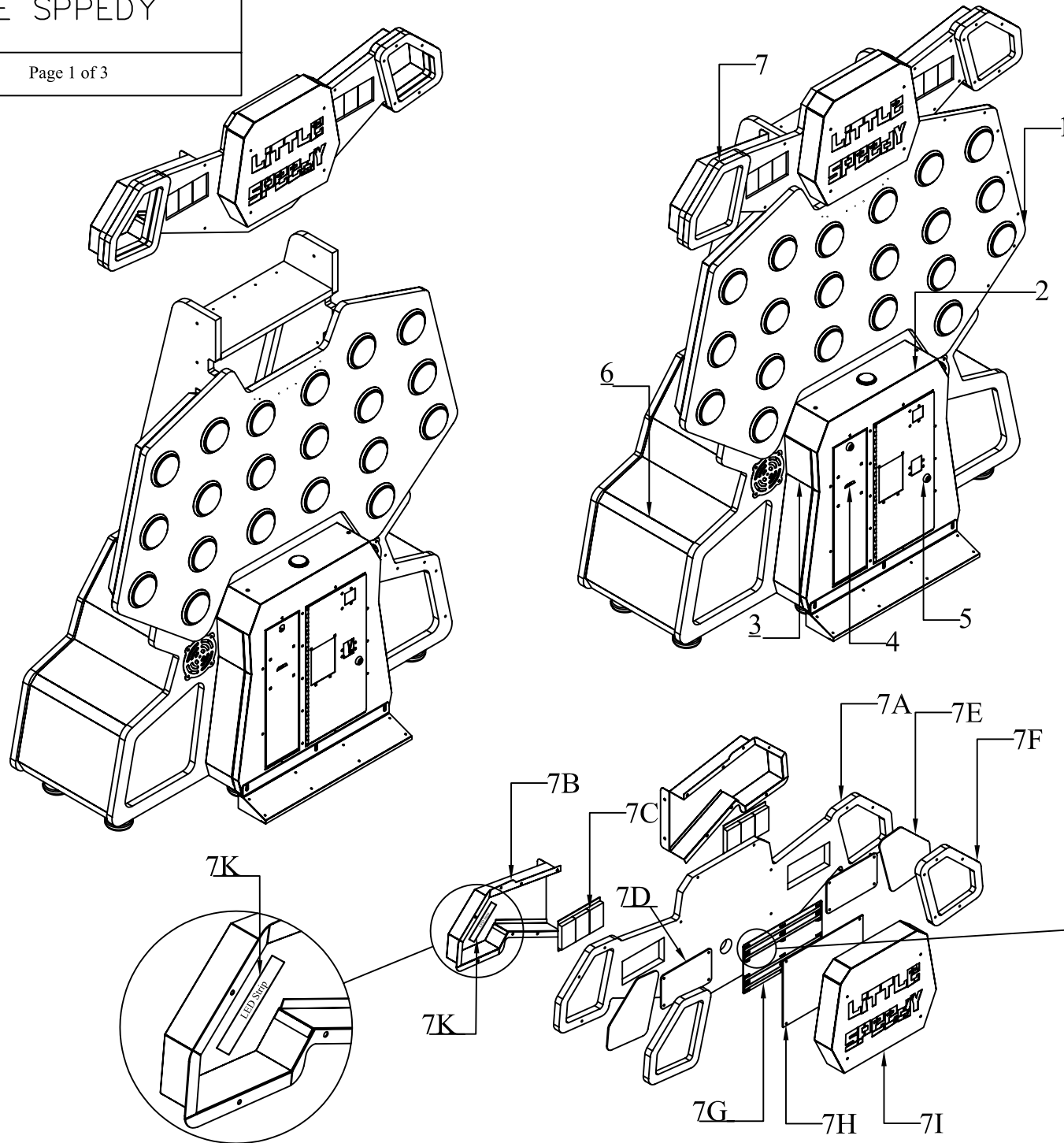


LITTLE SPEDDY

Page 1 of 3



No	No. Part	Description	Qty	
1	LS1-ASSY-02-R0	Assy Main Cabinet	1 Pc	
2	LS1-SA-01-R0	Front Cabinet SA	20 Pcs	
3	LS1-FM-02-R0	Bracket Continues	1 Pc	
4	LS1-ASSY-03-R0	Ticker Door Assy	1L/1R	
5	LS1-ASSY-04-R0	Coin Door Assy	1 Pc	
6	LS1-FM-03-R1	Side Main Cabinet	1L/1R	
7	7A	LS1-FW-11-R1	Header Base	1 Pc
	7B	LS1-FW-21-R0	Cover Display	1 Pc
	7C	BAFB74	Seven Segment 2" (display Score/Timer)	2 pcs
	7D	LS1-FP-08-R1	Cover Display Front	1L/1R
	7E	LS1-FP-12-R0	Acrylic Side Header	1L/1R
	7F	LS1-FW-10-R0	Side Header	1L/1R
	7G	LS1-FM-08-R0	Bracket LED Header	1 Pc
	7H	LS1-FP-14-R3	Acrylic Header	1 Pc
	7I	LS1-FM-19-R3	Housing Header	1 Pc
	7J	EA0593	LED Strip	
	7K	-	LED Strip	