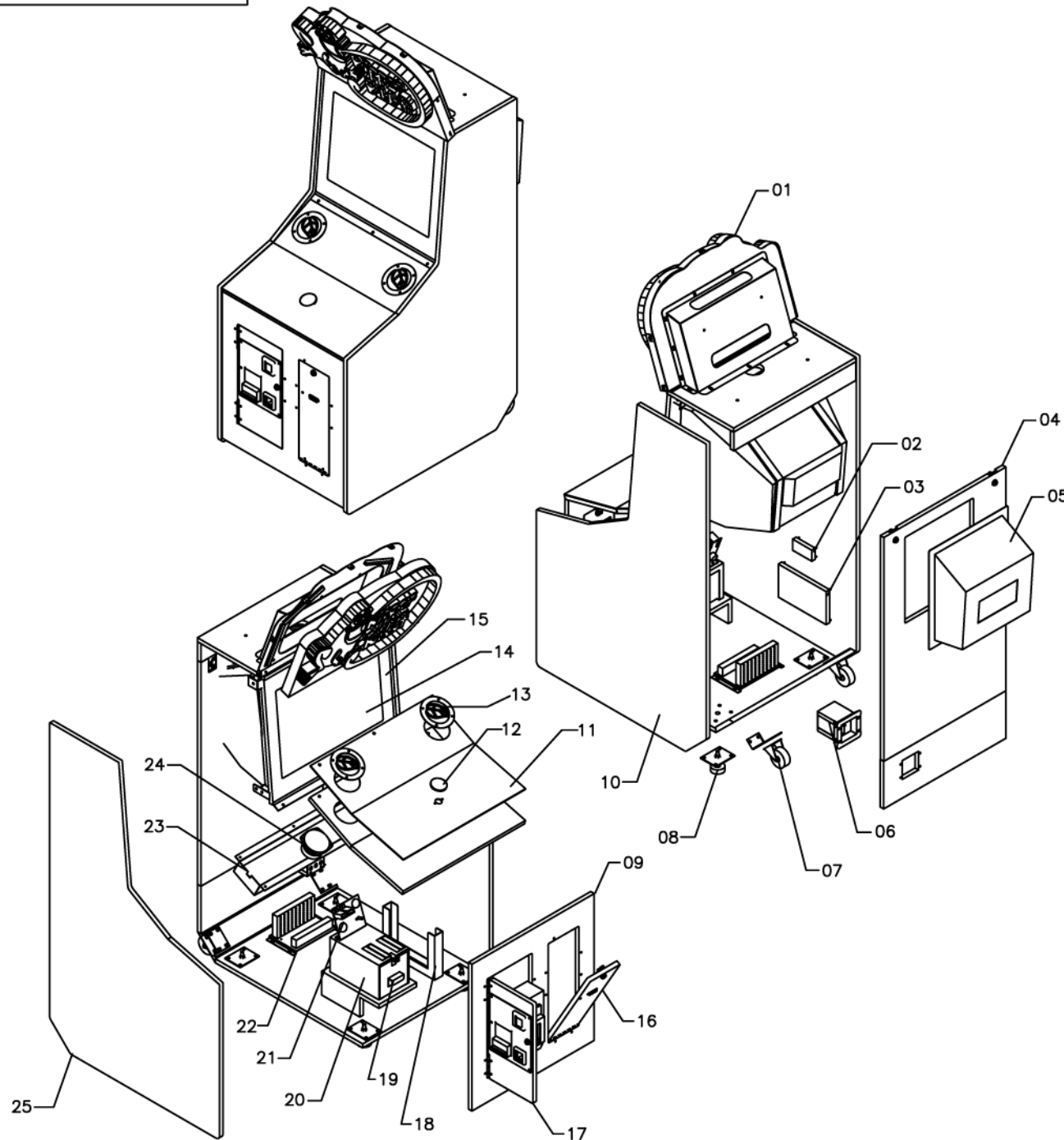


# RIPPER RIBBIT



NO	PART NO	DESCRIPTION	QTY	
01	RR A001	HEADER ASSEMBLY	1	
02	BA1302	PCB FB29a STEREO AUDIO AMPLIFIER	1	
03	BA1301	PCB ICE GAME BOARD	1	
04	RR1-FW-003-R0	BACK DOOR	1	
05	RR1-SA-001-R0	METAL BACK COVER	1	
06	RR E001	DB BOX ASSEMBLY	1	
PART ITEM	06A	HA0007	DB BOX METAL ONLY	1
	06B	EA1356	BINDING POST	1
	06C	EA1358	SPLIT CORE EMI FILTER FOR CE MACHINE	1
	06D	EA0849	IEC TYPE NOISE EMI FILTER	1
	06E	RR H002	DB BOX HARNESS	1
	06F	EA0635	POWER LEAD MOLDED IEC TO 3 PIN USA	1
	06G	EA0636	POWER LEAD MOLDED IEC TO 2 PIN INDO	1
	06H	EA0637	POWER LEAD MOLDED IEC TO 3 PIN AU	1
	06I	EA0639	POWER LEAD MOLDED IEC TO 3 PIN UK	1
07	HM0062	CASTOR WHEEL 3 INCH	2	
08	HM0002	RUBBER MACHINE GLIDE	4	
09	RR1-FW-004-R2	FRONT PANEL LOWER WOOD ONLY	1	
09A	AT1303	STICKER FRONT PANEL	1	
10	RR1-FW-001B-R0	CABINET SIDE LEFT WOOD ONLY	1	
10A	AT1302	STICKER MACHINE SIDE LEFT	1	
11	AT1310	ACRYLIC PLAYFIELD	1	
12	EA0503	SWITCH MEDIUM ROUND RED BUTTON	1	
13	RR1-FM-021-R2	SPEAKER COVER	2	
14	EA1059	COLOUR PICTURE TUBE 29" CORION SAMSUNG	1	
15	RR1-FW-011-R0	MONITOR GLASS BACK BOARD	1	
15A	AT1304	STICKER MONITOR MASK	1	
15B	RR1-FG-001-R0	FRONT GLASS	1	
16	RR A002	TICKET DOOR ASSEMBLY	1	
17	RR A003	COINDOOR ASSEMBLY	1	
18	SP1-FM-019-R0	TICKET HOLDER	1	
19	RR1-SA-003-R0	CASH BOX	1	
20	RR1-SA-002-R0	HOUSING CASH BOX	1	
21	RR E002	SERVICE PANEL ASSEMBLY	1	
PART ITEM	21A	RR1-FM-017-R0	SERVICE PANEL METAL ONLY	1
	21B	EA0519	SWITCH SMALL ROUND RED BUTTON	1
	21C	EA0520	SWITCH SMALL ROUND GREEN BUTTON	1
	21D	EA1252	COIN COUNTER 12V REAR MOUNTING	2
	21E	EE0689	POTENSIO CARBON DUAL GANG 50K Ohm	1
	21F	EP0802	KNOB VOLUME	1
	-	RR H003	SERVICE PANEL HARNESS	1
22	RR E003	POWER ASSEMBLY	1	
23	RR1-FM-022-R0	BACK COVER SPEAKER	1	
24	EA1201	SPEAKER 4" 8 OHM 40W	2	
25	RR1-FW-001A-R0	CABINET SIDE RIGHT WOOD ONLY	1	
25A	AT1301	STICKER MACHINE SIDE RIGHT	1	
26	RR H004	MAIN HARNESS	1	