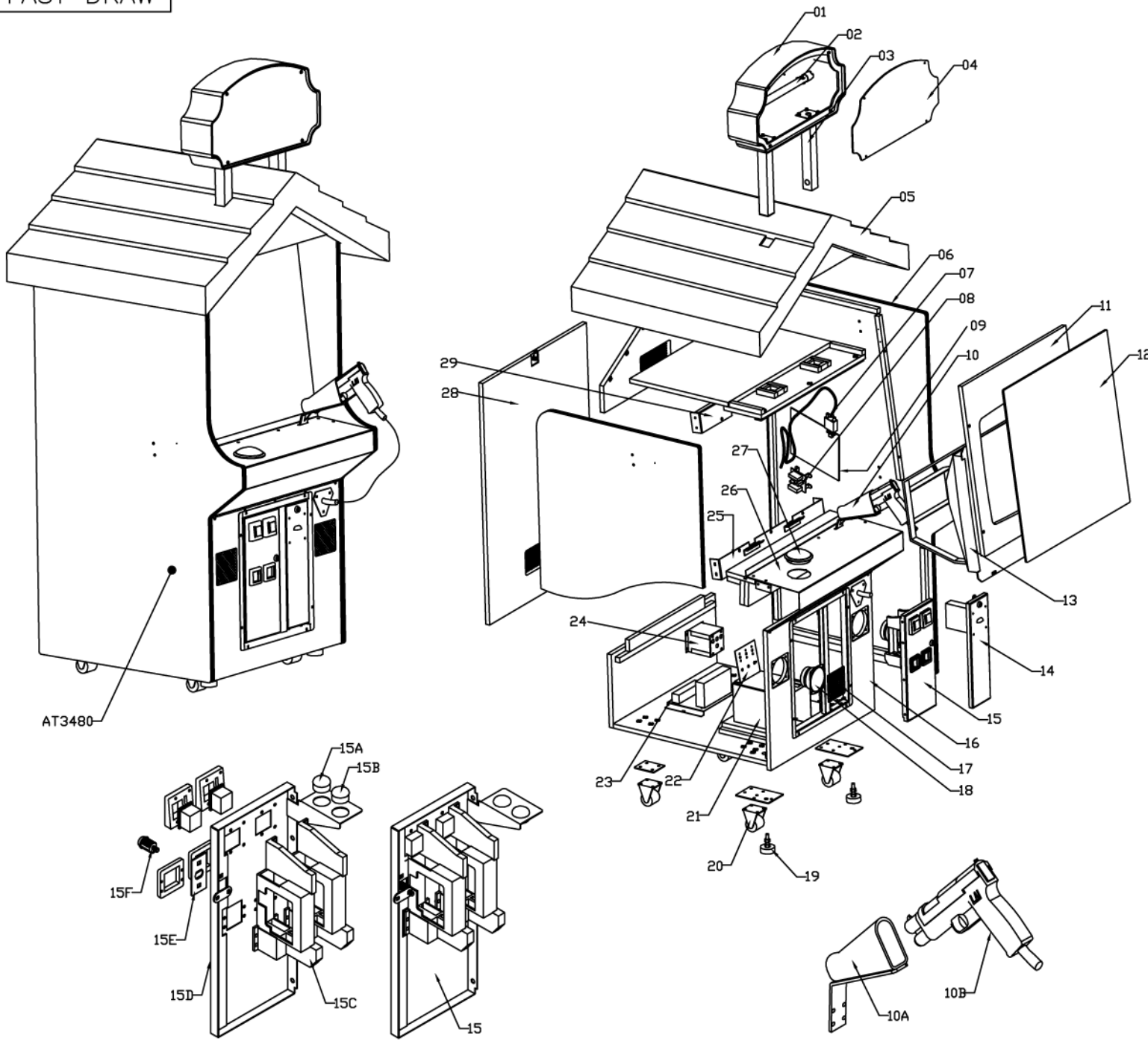


# FAST DRAW



NO	PART NO.	DESCRIPTION	QTY
01	HM2509	FIBER GLASS MOULDING FOR FD	1 SET
01A	EP0434	LAMP NEON END CAP HOLDER	2
02	EA0205	LAMPU NEON 15W COOL WHITE	1
02A	EA0434	LAMPU NEON WITH END CAP	2
03	FD1-FM-008-R1	NAME POST BOARD	2
04	FD1-FP-002-R0	ACRILLIC HEADER	1
04A	AT3485	STICKER ACRILLIC TOP HEADER FOR FAST DRAW PC	1
05	HM2509	FIBER GLASS MOULDING FOR FD	1 SET
06	FD1-FW-03A-R0	SIDE WALL WITH STICKER	1R,1L
06A	AT3481	STICKER SIDE RIGHT (R) FOR FAST DRAW PC	1
06A	AT3482	STICKER SIDE LEFT (L) FOR FAST DRAW PC	1
07	EC1828	CABLE VGA DB 15W MALE 1.5 MTR	1
08	BAFB118	PCB FB 118 REV 5 GUN INTERFACE	1
09	BAFB91	PCB FB91 GAME BOARD CONTROLLER	1
09A	FD H005	MAIN HARNESS	1
10	FD E002	RECOIL GUNS ASSEMBLY	1
10A	HM0054	GUN HOLDER LEATHER WITH BRACKET	1
10B	EA0540	RECOIL OPTOGUNS SF-X P/N.RX 101	1
11	FD1-FW-005-R0	MONITOR MASK	1
11A	AT3486	STICKER MASK MONITOR COVER FOR FAST DRAW PC	1
12	FD1-FG-001-R0	SAFETY GLASS MONITOR	1
13	EA1059	COLOUR PICTURE TUBE 29"	1
14	FD A002	TICKET DOOR ASSEMBLY	1 SET
14A	FD1-FM-19-R0	TICKET DOOR METAL ONLY	1
14B	EA1102	TICKET DISPENSER ENTROPY	1
14C	HM0004	LOCK ANGLE	1
14D	AT3483	STICKER FRONT CABINET FOR FAST DRAW PC	1
14E	FD1-FM-19-R0	TICKET DOOR HINT	1
-	FD H002	TICKET DOOR HARNESS	1
15	FD A001	COINDOOR DOUBLE SLOT ASSY	1 SET
15A	EA0521	SWITCH SMALL ROUND WHITE BUTTON	1
15B	EA0522	SWITCH SMALL ROUND YELLOW BUTTON	1
15C	HM0014	COIN MECHANISM	2
15D	FD1-SA-01-R0	COINDOOR DOUBLE SLOT METAL ONLY	1
15E	FD1-FM-20-R0	THANDLE COVER	1
15F	HM0004	LOCK ANGLE	1
15G	AT3483	STICKER FRONT CABINET FOR FAST DRAW PC	1
15H	FD H002a	COINDOOR DOUBLE SLOT HARNESS	1
OPTIONAL			
-	FD H001a	COINDOOR DBA, 1 SLOT HARNESS	1
-	FD1-SA-01-R0	COIN DOOR ASSEMBLY	1
16	FD1-FW-07A-R1	STICKER FRONT CABINET FOR FAST DRAW PC	1
16A	AT3483	WALL FRONT WITH STICKER	1
17	FD1-FM-012-R0	SPEAKER GRILL	2
18	EA1206	SPEAKER 4" 40W BOSTON 1023-MW	2
19	HM0002	RUBBER MACHINE GLIDES	2
20	HM0018	CASTOR WHEEL 2" DOUBLE SWIVEL	4
21	HM0010	CASH BOX & HOUSING CASH BOX	1 SET
22	FD E001	SERVICE PANEL ASSEMBLY	1
22A	FD1-FM-21-R1	SERVICE BRACKET METAL ONLY	1
22B	EA0519	SWITCH SMALL ROUND RED BUTTON	1
22C	EA0520	SWITH SMALL ROUND GREEN BUTTON	1
22D	EA1252	COIN COUNTER 12V REAR MOUNTING	1
22E	EE0689	POTENSIO KARBON DUAL GANG 50K OHM	1
22F	EP0602	KNOB VOLUME	1
-	FD H006	SERVICE PANEL HARNESS	1
23	FD A003	POWER ASSEMBLY	1 SET
23A	FD1-FM-014-R0	BRACKET POWER SUPPLY	1
23B	EA1003	SWITCHING POWER SUPPLY MP-20130A	1
23C	EA0304	LAMPU NEON STARTER S-10 220-240V	1
23D	EA0325	LAMPU NEON BALLAST CE 240V 15/18W	1
-	FD H003	POWER SUPPLY HARNESS	1
24	FD E005	DB BOX ASSEMBLY	1 SET
24A	HA0007	METAL DB BOX	1
24B	EA1356	BINDING POST	1
24C	EA1358	SPLIT CORE EMI FILTER FOR CE MACHINE	1
-	FD H001	DB BOX HARNESS	1
OPTIONAL			
-	EA0635	POWER LEAD MOLDED IEC TO 3 PIN USA	1
-	EA0637	POWER LEAD MOLDED IEC TO 2 PIN INDO	1
-	EA0636	POWER LEAD MOLDED IEC TO 3 PIN AU	1
-	EA0639	POWER LEAD MOLDED IEC TO 3 PIN UK	1
25	FD1-FM-005-R0	MONITOR BRACKET LOWER	1
26	FD A005	CONTROL PANEL ASSEMBLY	1 SET
26A	FD1-FM-003-R0	CONTROL PANEL METAL ONLY	1
26B	AT3484	STICKER PLAY INTRUCTIONS FOR FAST DRAW PC	1
26C	FD1-MM-001-R0	HINGE CONTROL PANEL	1
26D	FD1-FP-001-R0	ACRILLIC CONTROL PANEL	1
27	EA0523	SWITCH LARGE RED MEGA BUTTON	1
28	FD1-FW-001-R0	BACK DOOR	1
29	FD1-FM-006-R0	MONITOR BRACKET UPPER	1