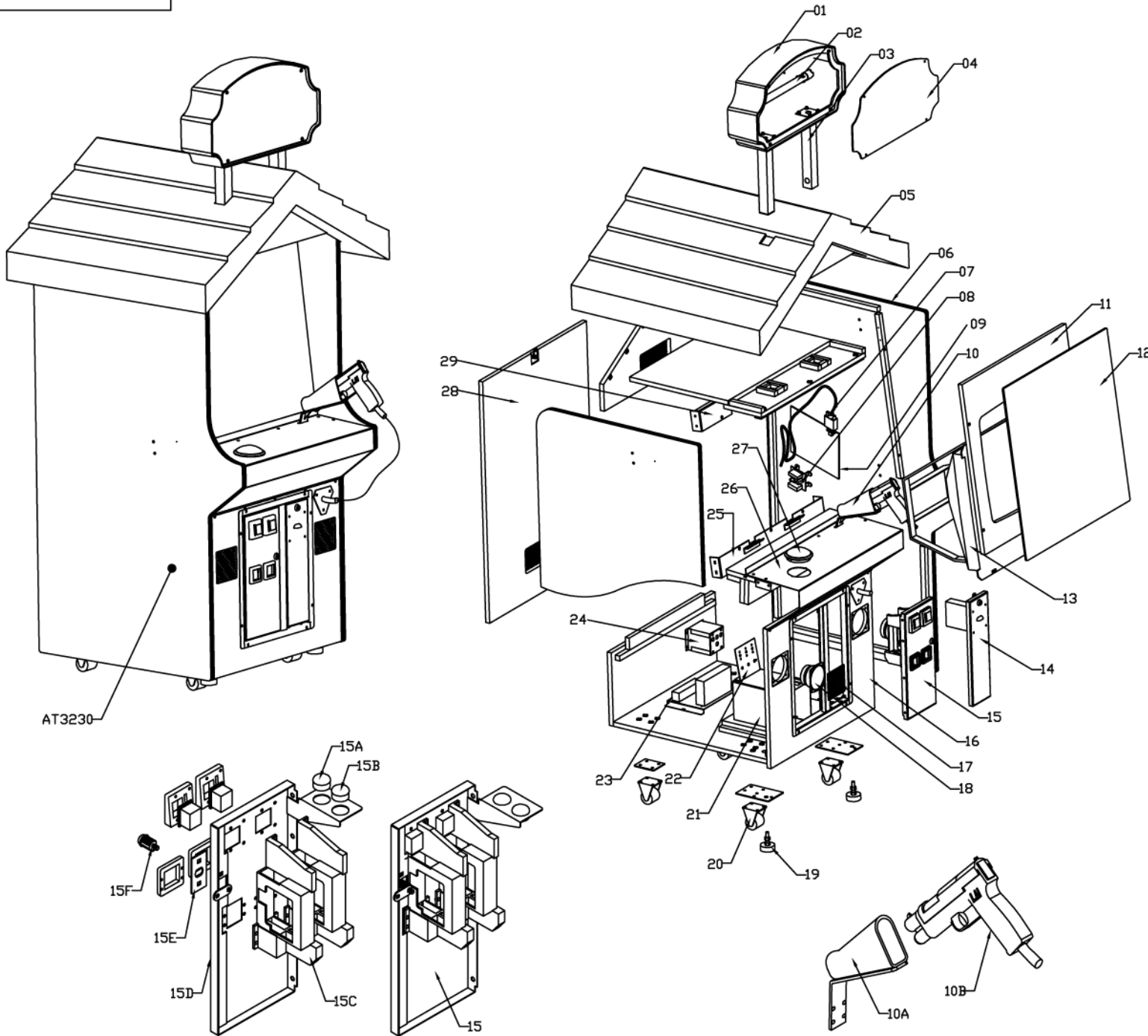


MOST WANTED



	NO	PART NO.	DESCRIPTION	QTY
	01	HM2509	FIBER GLASS MOULDING FOR FD	1 SET
	01A	EP0434	LAMP NEON END CAP HOLDER	2
	02	EAD205	LAMPU NEON 15W COOL WHITE	1
	02A	EAD434	LAMPU NEON WITH END CAP	2
	03	MW1-FM-009-R1	NAME POST BOARD	2
	04	MW1-FP-002-R0	ACRILLIC HEADER	1
	04A	AT3235	STICKER ACRYLIC MOST WANTED TOP HEADER PC	1
	05	HM2509	FIBER GLASS MOULDING FOR FD	1 SET
	06	MW1-FW-03A-R0	SIDE WALL WITH STICKER	1R,1L
	06A	AT3231	STICKER MOST WANTED SIDE RIGHT PC	1
	06A	AT3232	STICKER MOST WANTED SIDE LEFT PC	1
	07	EC1828	CABLE VGA DB 15W MALE 1.5 MTR	1
	08	BAFB118	PCB FB 118 REV 5 GUN INTERFACE	1
	09	BAFB91	PCB FB91 GAME BOARD CONTROLLER	1
	09A	MW H005	MAIN HARNESS	1
	10	MW E002	RECOIL GUNS ASSEMBLY	1
ITEM	10A	HM0054	GUN HOLDER LEATHER WITH BRACKET	1
	10B	EAO540	RECOIL OPTOGUNS SF-X P/N/RX 101	1
	11	MW1-FW-005-R0	MONITOR MASK	1
	11A	AT3236	STICKER MOST WANTED MASK MONITOR COVER PC	1
	12	MW1-FG-001-R0	SAFETY GLASS MONITOR	1
	13	EA1059	COLOUR PICTURE TUBE 29"	1
	14	MW A002	TICKET DOOR ASSEMBLY	1 SET
PART ITEM	14A	MW1-FM-19-R0	TICKET DOOR METAL ONLY	1
	14B	EA1102	TICKET DISPENSER ENTROPY	1
	14C	HM0004	LOCK ANGLE	1
	14D	AT3233	STICKER MOST WANTED FRONT CABINET PC	1
	14E	MW1-FM-19-R0	TICKET DOOR HINT	1
	-	MW H002	TICKET DOOR HARNESS	1
	15	MW A001	COINDOOR DOUBLE SLOT ASSY	1 SET
PART ITEM	15A	EAD521	SWITCH SMALL ROUND WHITE BUTTON	1
	15B	EAD522	SWITCH SMALL ROUND YELLOW BUTTON	1
	15C	HM0014	COIN MECHANISM	2
	15D	MW1-SA-01-R0	COINDOOR DOUBLE SLOT METAL ONLY	1
	15E	MW1-FM-20-R0	THANDLE COVER	1
	15F	HM0004	LOCK ANGLE	1
	15G	AT3233	STICKER MOST WANTED FRONT CABINET PC	1
	15H	MW H002a	COINDOOR DOUBLE SLOT HARNESS	1
	-	OPTIONAL		
	-	MW H001a	COINDOOR DBA 1 SLOT HARNESS	1
	-	MW1-SA-01-R0	COIN DOOR ASSEMBLY	1
	16	MW1-FW-07A-R1	WALL FRONT WITH STICKER	1
	16A	AT3233	STICKER MOST WANTED FRONT CABINET PC	1
	17	MW1-FM-012-R0	SPEAKER GRILL	2
	18	EA1206	SPEAKAER 4" 40W BOSTON 1023-MW	2
	19	HM0002	RUBBER MACHINE GLIDES	2
	20	HM0016	CASTOR WHEEL 2" DOUBLE SWIVEL	4
	21	HM0010	CASH BOX & HOUSING CASH BOX	1 SET
	22	MW E001	SERVICE PANEL ASSEMBLY	1
PART ITEM	22A	MW1-FM-21-R1	SERVICE BRACKET METAL ONLY	1
	22B	EAD519	SWITCH SMALL ROUND RED BUTTON	1
	22C	EAD520	SWITH SMALL ROUND GREEN BUTTON	1
	22D	EA1252	COIN COUNTER 12V REAR MOUNTING	1
	22E	EED689	POTENSIO KARBON DUAL GANG 50K OHM	1
	22F	EP0602	KNOB VOLUME	1
	-	MW H006	SERVICE PANEL HARNESS	1
	23	MW A003	POWER ASSEMBLY	1 SET
PART ITEM	23A	MW1-FM-014-R0	BRACKET POWER SUPPLY	1
	23B	EA1003	SWITCHING POWER SUPPLY MP-20130A	1
	23C	EAD304	LAMPU NEON STARTER S-10 220-240V	1
	23D	EAD325	LAMPU NEON BALLAST CE 240V 15/18W	1
	-	MW H003	POWER SUPPLY HARNESS	1
	24	MW E005	DB BOX ASSEMBLY	1 SET
PART ITEM	24A	HA0007	METAL DB BOX	1
	24B	EA1356	BINDING POST	1
	24C	EA1358	SPLIT CORE EMI FILTER FOR CE MACHINE	1
	-	MW H001	DB BOX HARNESS	1
	-	OPTIONAL		
	-	EAD635	POWER LEAD MOLDED IEC TO 3 PIN USA	1
	-	EAD637	POWER LEAD MOLDED IEC TO 2 PIN INDO	1
	-	EAD636	POWER LEAD MOLDED IEC TO 3 PIN AU	1
	-	EAD639	POWER LEAD MOLDED IEC TO 3 PIN UK	1
	25	MW1-FM-005-R0	MONITOR BRACKET LOWER	1
	26	MW A005	CONTROL PANEL ASSEMBLY	1 SET
PART ITEM	26A	MW1-FM-003-R0	CONTROL PANEL METAL ONLY	1
	26B	AT3234	STICKER MOST WANTED PLAY INSTRUCTION PC	1
	26C	MW1-MM-001-R0	HINGE CONTROL PANEL	1
	26D	MW1-FP-001-R0	ACRILLIC CONTROL PANEL	1
	27	EAO523	SWITCH LARGE RED MEGA BUTTON	1
	28	MW1-FW-001-R0	BACK DOOR	1
	29	MW1-FM-008-R0	MONITOR BRACKET UPPER	1