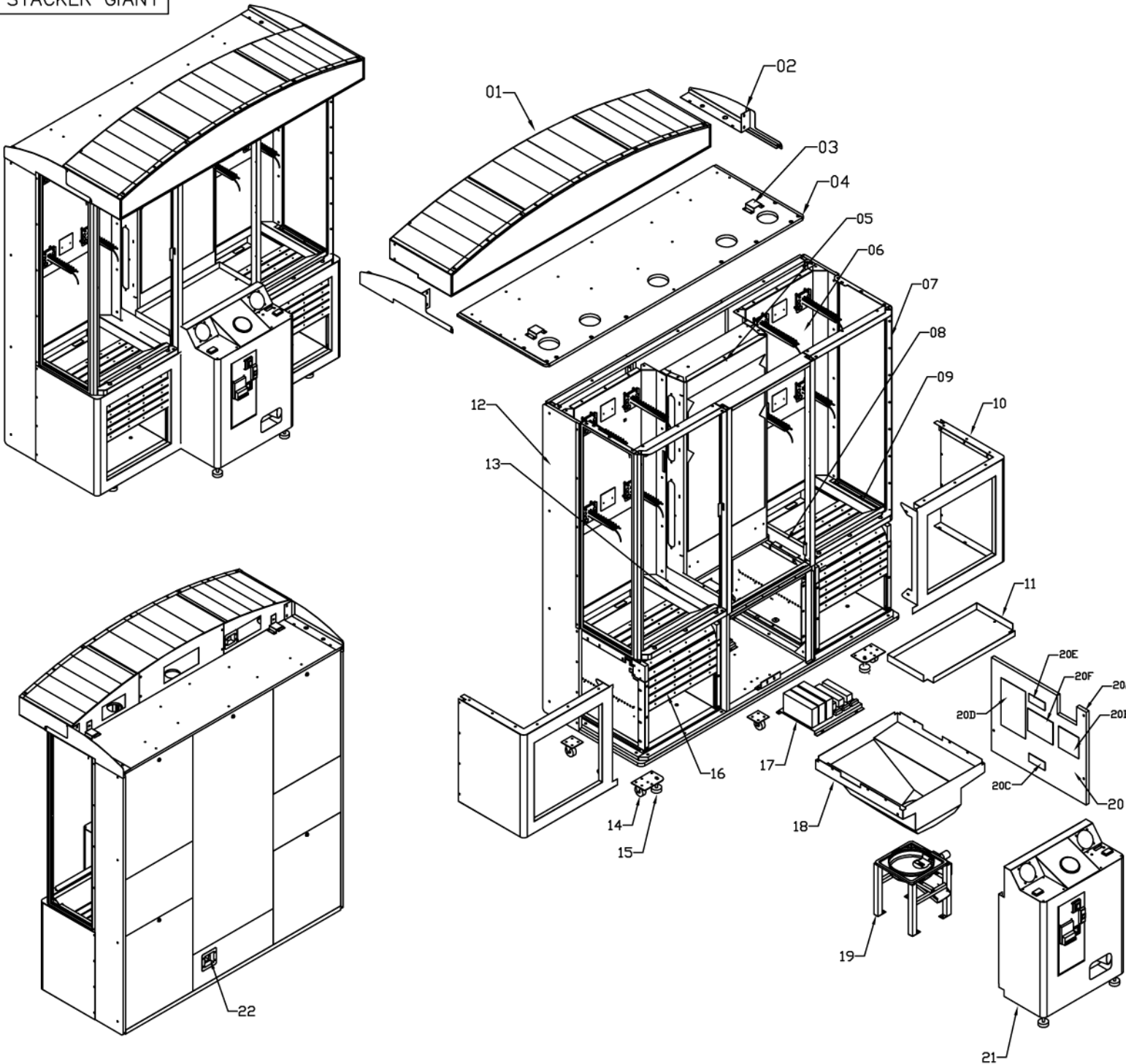


STACKER GIANT



NO	PART NO	DESCRIPTION	QTY	
01	STG A004	HEADER ASSEMBLY	1	
02	STG-SA-59-R0	HEADER SIDE ASSEMBLY	1R,1L	
03	STG-SA-58-R0	L BRACKET SLIDE	2	
04	STG-FW-12-R0	TOP PANEL	1	
05	STG E004	DISPLAY PANEL ASSEMBLY	1	
06	STG A006	PRIZE PANEL ASSEMBLY	1R,1L	
07	STG-SA-09-R0	FRONT DOOR FRAME ASSEMBLY WITH GLASS	1R,1L	
	- STG-FG-02-R0	SIDE GLASS	2	
08	STG-FM-68-R0	TOP FRONT BALL CONTAINER	1R,1L	
09	STG-FM-66-R0	OUTSIDE PRIZE CHUTE	1R,1L	
10	STG A010	COVER SIDE ASSEMBLY	1R,1L	
	- STG-SA-07-R0	COVER SIDE METAL ONLY	1R,1L	
	- AT3314	STICKER FRONT R/L CABINET	1	
11	STG-FM-69-R0	BALL CONTAINER TOP	1	
12	STG A009	SIDE PANEL ASSEMBLY	1R,1L	
	- STG-FW-04-R0	SIDE PANEL WOOD ONLY	1R,1L	
	- AT3311	STICKER SIDE R/L	1	
13	STG-FM-63-R0	INSIDE PRIZE CHUTE	1R,1L	
14	HM0016	CASTOR 2" DOUBLE SWIVEL	6	
15	HM0002	RUBBER MOUNTING	4	
16	STG A004	ROLLING DOOR ASSEMBLY	1R,1L	
17	STG E007	MAIN POWER ASSEMBLY	1	
18	STG-SA-67-R0	CAPSUL CHUTE ASSEMBLY	1	
19	STG A003	CAPSUL DISPENSER 3" ASSEMBLY	1	
20	STG E009	PANEL PCB ASSEMBLY	1	
	20A	STG-FW-05-R0	PCB BASE WOOD	1
	20B	BAFB95	PCB FB95 PRIZE BOX CONTROLL. BOARD	1
	20C	BA0005	PCB TICKET INTERFACE WITH METER DRIVE	1
	20D	BAFB66A	PCB FB66A MPU CONTROLLER BBB LH	1
	20E	BA0029	PCB FB29 STEREO AUDIO AMPLIFIER	1
	20F	BAFB52C	PCB FB52C 16Mhz Z80 SOUND BOARD	1
21	STG A005	CONTROL PANEL ASSEMBLY	1	
22	STG E009	DB BOX ASSEMBLY	1	
	- STG E009a	DB BOX METAL ONLY	1	
	- EA1356	BINDING POST	1	
	- EA1358	SPLIT CORE EMIFILTER FOR CE MACHINE	1	
	- EA0649	IEC TYPE NOISE EMI FILTER	1	
	- STG H007	DB BOX HARNESS	1	
	- EA0635	POWER LEAD MOLDED IEC TO 3 PIN USA	1	
	- EA0636	POWER LEAD MOLDED IEC TO 2 PIN INDO	1	
	- EA0637	POWER LEAD MOLDED IEC TO 3 PIN AU	1	
	- EA0639	POWER LEAD MOLDED IEC TO 3 PIN UK	1	