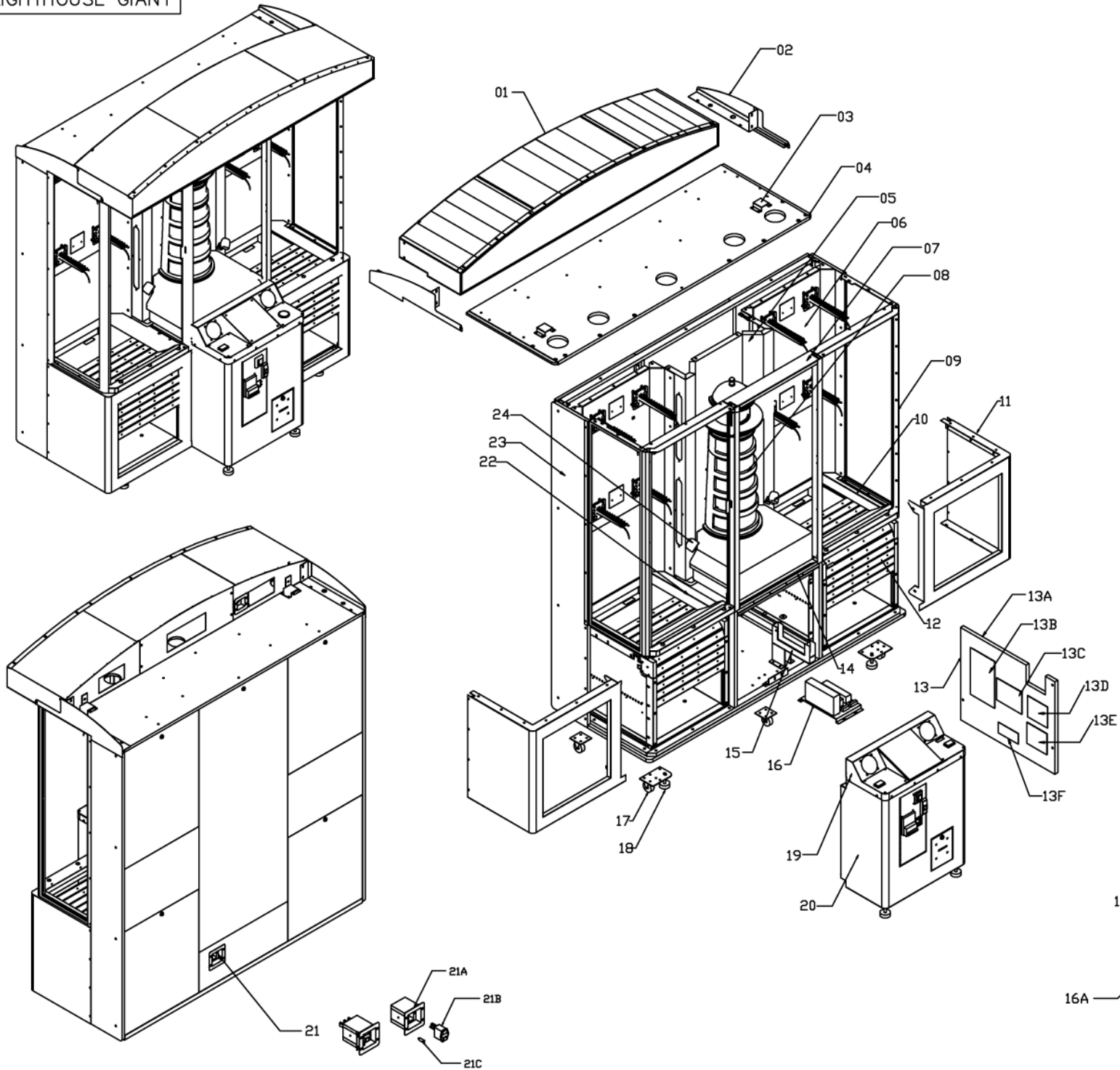


LIGHTHOUSE GIANT



NO	PART NO	DESCRIPTION	QTY	
01	LHG A001	HEADER ASSEMBLY	1	
02	LHG-SA-59-RO	HEADER SIDE ASSEMBLY	1R,1L	
03	LHG-SA-58-RO	L BRACKET SLIDE	2	
04	LHG-FW-12-RO	TOP PANEL	1	
05	LHG-SA-48-RO	LEVEL PANEL METAL ONLY	1	
06	LHG A002	PRIZE PANEL ASSEMBLY	1R,1L	
07	LHG-SA-12-RO	MIDDLE GLASS FRAME	1	
08	LHG A003	FIBER GLASS LEVEL PANEL ASSEMBLY	1	
PART ITEM	08A	LHG-FP-016-RO	ACRYLIC TOWER LEVEL COVER	6
	08B	LHG-FP-017-RO	ACRYLIC TOP COVER	1
	08C	EA0537	LAMP LTF 8000 REFLECTOR	1
	08D	HM2514	FIBER GLASS LEVEL MOLDING	1
	08E	EP0435	LAMP FITTING HOLDER E26 UL	6
	08F	EA0250	TRAFFIC LAMP E27 40W/ 220-250V	6
08G	EA0251	TRAFFIC LAMP E27-ES 40W/ 110-130V DEST TO USA	6	
09	LHG A004	FRONT DOOR FRAME ASSEMBLY	1R,1L	
PART ITEM	09A	LHG-SA-009-RO	FRONT GLASS FRAME METAL ONLY	1R,1L
	09B	LHG-FM-010-R1	SIDE GLASS TOP BRACKET	2R,2L
	09C	LHG-FM-011-RO	SIDE GLASS BRACKET	4
	09D	LHG-FG-002-RO	SIDE GLASS	2
10	LHG-FM-66-RO	OUTSIDE PRIZE CHUTE	1R,1L	
11	LHG A005	COVER SIDE ASSEMBLY	1R,1L	
11A	LHG-FM-SA-07	COVER SIDE METAL ONLY	1R,1L	
11B	AT3304	STICKER FRONT R/L CABINET	1R,1L	
12	LHG A006	ROLLING DOOR ASSEMBLY	1R,1L	
13	LHG E001	PANEL PCB ASSEMBLY	1	
PART ITEM	13A	LHG-FW-05-RO	PCB BASE WOOD	1
	13B	BAFB66A	PCB FB66A MPU CONTROLLER BBB LH	1
	13C	BAFB52C	PCB FB52C 16Mhz Z80 SOUND BOARD	1
	13D	BA0029	PCB FB29 STEREO AUDIO AMPLIFIER	1
	13E	BAFB95	PCB FB95 PRIZE BOX CONTROLLER BOARD	1
	13F	BA0005	PCB TICKET INTERFACE WITH METER DRIVE HH	1
14	LHG-FM-13-RO	GLASS FRAME MIDDLE BOTTOM	1	
15	LHG A007	TICKET HOLDER ASSEMBLY	1	
15A	LHG-FM-20-RO	TICKET HOLDER BOX	1	
15B	LHG-FM-19-RO	TICKET HOLDER BASE	1	
16	LHG E002	MAIN POWER ASSEMBLY	1	
PART ITEM	16A	EA1015	POWER SUPPLY S-180-12 SINGLE OUTPUT	1
	16B	EA0303	NEON BALLAST 110-240VAC 40W	2
	16C	EA0311	STARTER BASE UL	2
	16D	LHG-FM-76-RO	LOWER TRAF0 BRACKET	1
	-	LHG H001	MAIN POWER HARNESS	1
	17	HMO016	CASTOR 2" DOUBLE SWIVEL	6
18	HMO002	RUBBER MOUNTING	2	
19	LHG A008	CONTROL PANEL COVER ASSEMBLY	1	
20	LHG A009	CONTROL PANEL BOX ASSEMBLY	1	
21	LHG E003	DB BOX ASSEMBLY	1	
PART ITEM	21A	LHG E003A	DB BOX METAL ONLY	1
	21B	EA0649	IEC TYPE NOISE EMI FILTER	1
	21C	EA1358	BINDING POST	1
	-	EA1356	SPLIT CORE EMI FILTER FOR CE MACHINE	1
	-	LHG H002	DB BOX HARNESS	1
	OPTIONAL	-	-	-
-	EA0635	POWER LEAD MOLDED IEC TO 3 PIN USA	1	
-	EA0636	POWER LEAD MOLDED IEC TO 2 PIN INDO	1	
-	EA0637	POWER LEAD MOLDED IEC TO 3 PIN AU	1	
-	EA0639	POWER LEAD MOLDED IEC TO 3 PIN UK	1	
22	LHG-FM-063-RO	INSIDE PRIZE CHUTE	1R,1L	
23	LHG A010	SIDE PANEL ASSEMBLY	1R,1L	
23A	LHG-FW-004-RO	SIDE PANEL WOOD ONLY	1R,1L	
23B	AT3301	STICKER SIDE R/L	1	
24	EA0225	XENON FLASH LAMP MODUL 12VDC	2	

16. MAIN POWER ASSEMBLY

