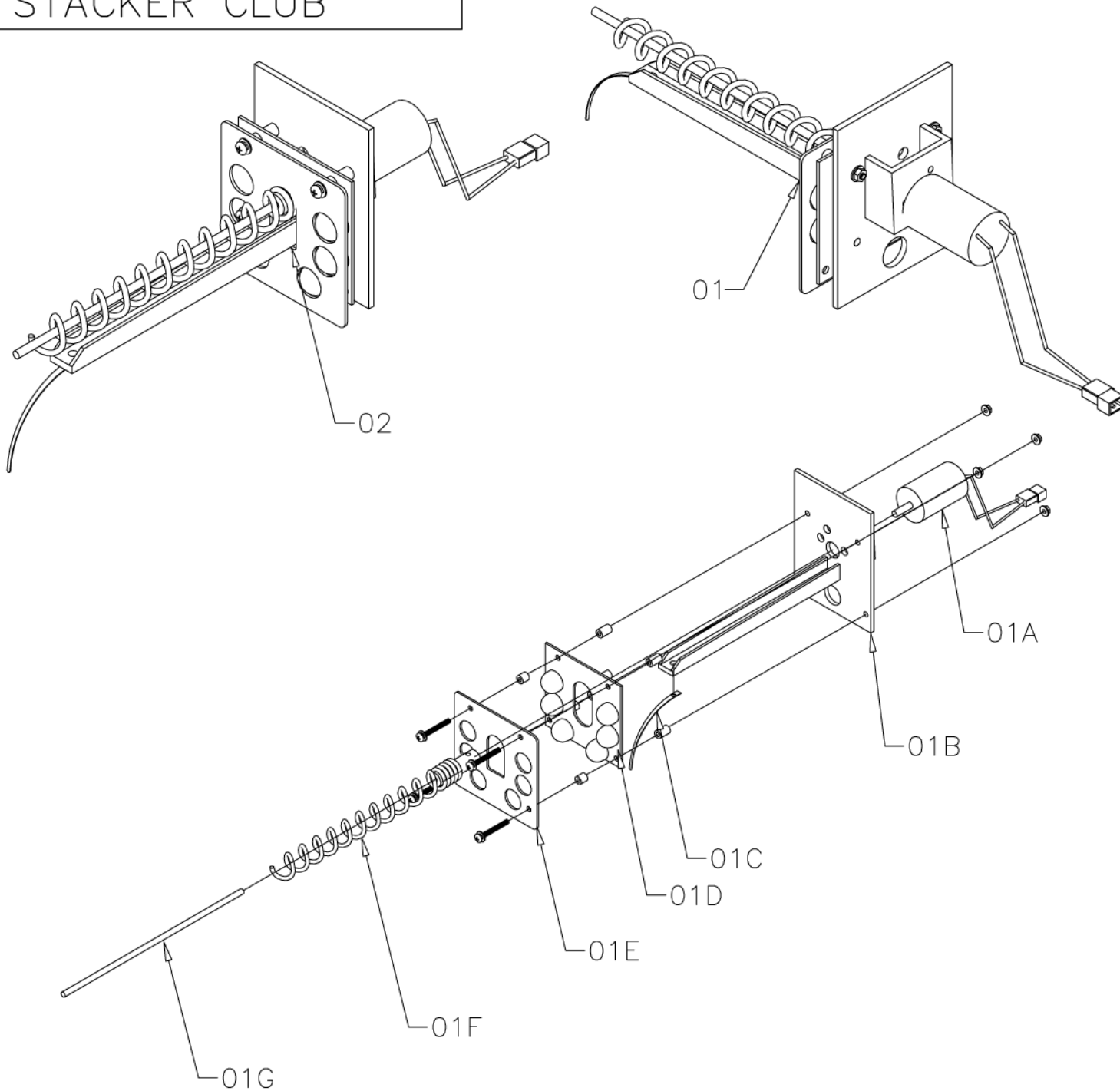


# STACKER CLUB



NO	PART NO	DESCRIPTION	QTY	
01	ST E001	PRIZE ARM LONG ASSY WITH PCB	1	
PART ITEM	-	EA1155A	PRIZE ARM LONG ASSY WITHOUT PCB	1
	01A	EA1155C	12VDC MOTOR JM 300-3259	1
	01B	EA1155B	PRIZE DISP ARM SILVER PLASTIC ONLY	1
	01C	EA1155E	PRIZE DISP ARM TONGUE SLIDE	1
	01D	BAFB77B	PCBFB77B WITH 6 LED INTO ONE PCB	1
	01E	ST-FP-05-R0	MIRROR LED PANEL	1
	01F	EA1155F	PRIZE DISP ARM SPIRAL, 16.5 +/-1.5 ROT	1
	01G	EA1155D	PRIZE DISP ARM LOCKING PIN LENGHT,28 CM	1
	-	AT3215	STICKER CLUB MAJOR FOR PRIZE ARM	1
02	ST E002	PRIZE ARM MEDIUM ASSY WITH PCB	1	
PART ITEM	-	EA1155H	PRIZE ARM MEDIUM ASSY WITHOUT PCB	1
	01A	EA1155C	12VDC MOTOR JM 300-3259	1
	01B	EA1175	PRIZE DISP ARM SILVER PLASTIC ONLY	1
	01C	EA1155E	PRIZE DISP ARM TONGUE SLIDE	1
	01D	BAFB77B	PCBFB77B WITH 6 LED INTO ONE PCB	
	01E	ST-FP-05-R0	MIRROR LED PANEL	1
	01F	EA1174F	PRIZE DISP ARM SPIRAL MEDIUM	1
	01G	EA1155I	PRIZE DISP ARM LOCKING PIN SMALL,22.5 CM	1
	-	AT3216	STICKER CLUB MINOR FOR PRIZE ARM	1