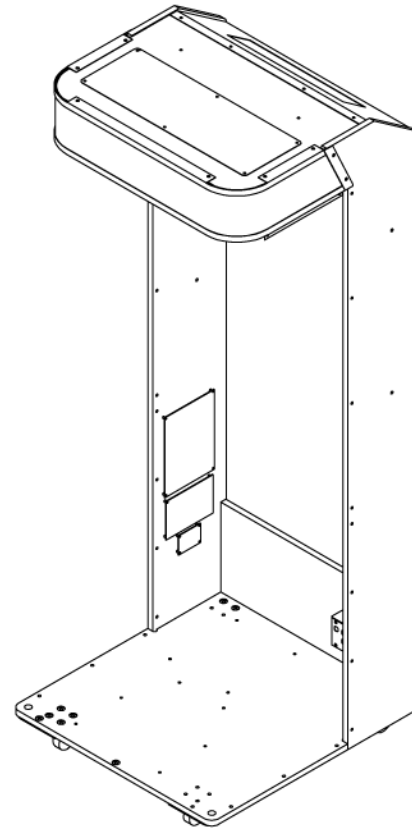
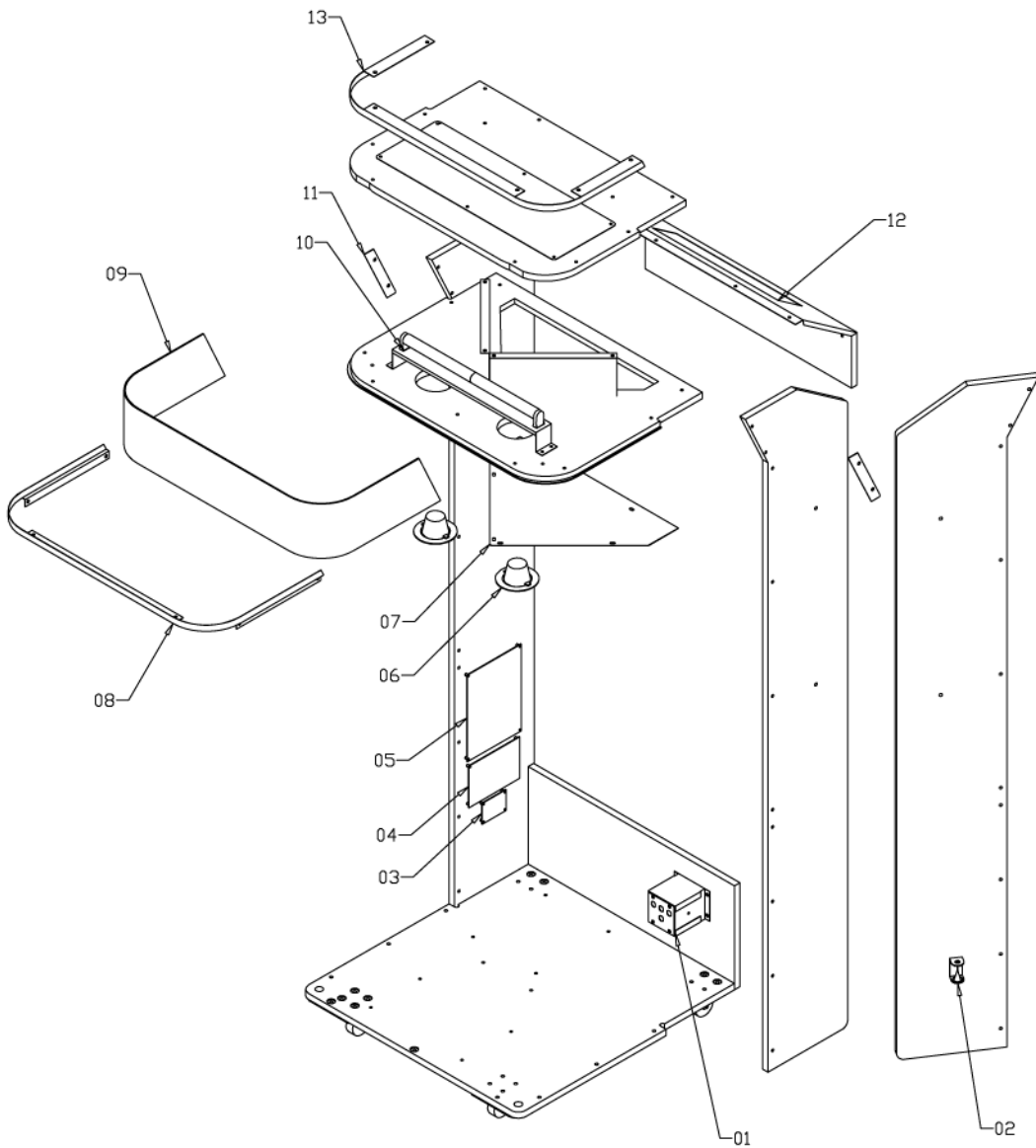



# STACKER CLUB



NO	PART NO	DESCRIPTION	QTY
01	STC E005	DB BOX ASSEMBLY	1
02	EA0516	SWITCH TILT ASSEMBLY	1
03	BA0029	PCBFB29 STEREO AUDIOAMPLIFIER	1
04	BAFB52C	PCB FB52C 16 MHz Z80	1
05	BAFB66A	PCB FB66A MPU CONTROLER	1
06	HA0001 ST	DOWNLIGHT ASSEMBLY	1
		EA0312 HOLDER DOWNLIGHT SWIVEL ACTION	1
		EA0209 DOWN LIGHT 12 V 20 W	1
07	STC-FM-14-RO	DOWN LIGHT GRILL	1
08	STC-FM-22-RO	MYLAR LOWER BRACKET	1
09	AT3213	ACRILLIC HEADER	1
10	STC E006	TOP LIGHT STACKER CLUB	1
11	STC-FM-36-RO	MYLAR SIDE RETAINER	2
12	STC-SA-19-RO	MYLAR BACK COVER	1
13	STC-FM-21-RO	MYLAR TOP RETAINER	1