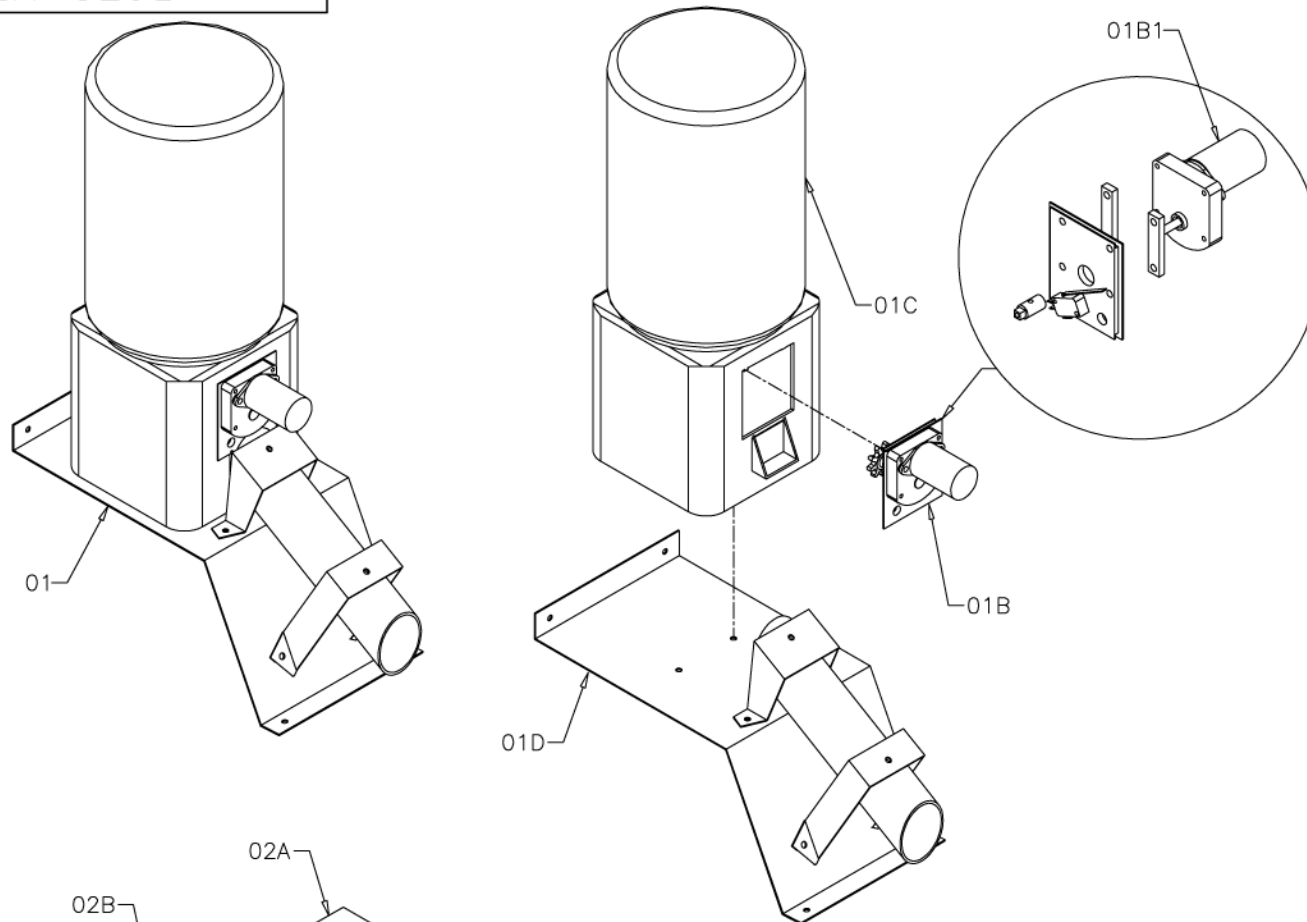


# STACKER CLUB



NO	PART NO	DESCRIPTION	QTY	
01	CD A001	CAPSUL DISPENCER ASSEMBLY	1 SET	
SUB ASSY	01A	BA0005	PCB TICKET INTERFACE	1
	01B	CD A001A	MOTOR CAPSULE DISP ASSEMBLY	1 SET
	01B1	EA1158	MOTOR 8000DC 12VDC 10-18 RPM	1
	01C	HA2073	CAPSULE DISPENCER KITS 1.5" DIA 38mm	1
	01D	CD A001B	CAPSULE DISPENCER BRACKET	1 SET
	-	EA0406	MICOSWITCH LEVER 51	1
	-	STC H001	CAPSULE DISPENCER HARNES	1
02	STC E007	POWER ASSEMBLY	1 SET	
PART ITEM	02A	EA1003	POWER SUPPLY +5V 15A +12V 4A -5V 1A	1
	02B	EA0311	STARTER BASE UL	3
	02C	EA0815	TRAFORMER WITH CONECTOR	1
	02D	EA0042	FUSE HOLDER	2
	02E	STC-FM-39-R0	TRAF0 BRACKET	1
	02F	EA0614	TERMINAL BLOCK UL	1
	02G	EA0325	BALLAST 240V, 15W	3
	-	STC E007	POWER HARNESS	1

