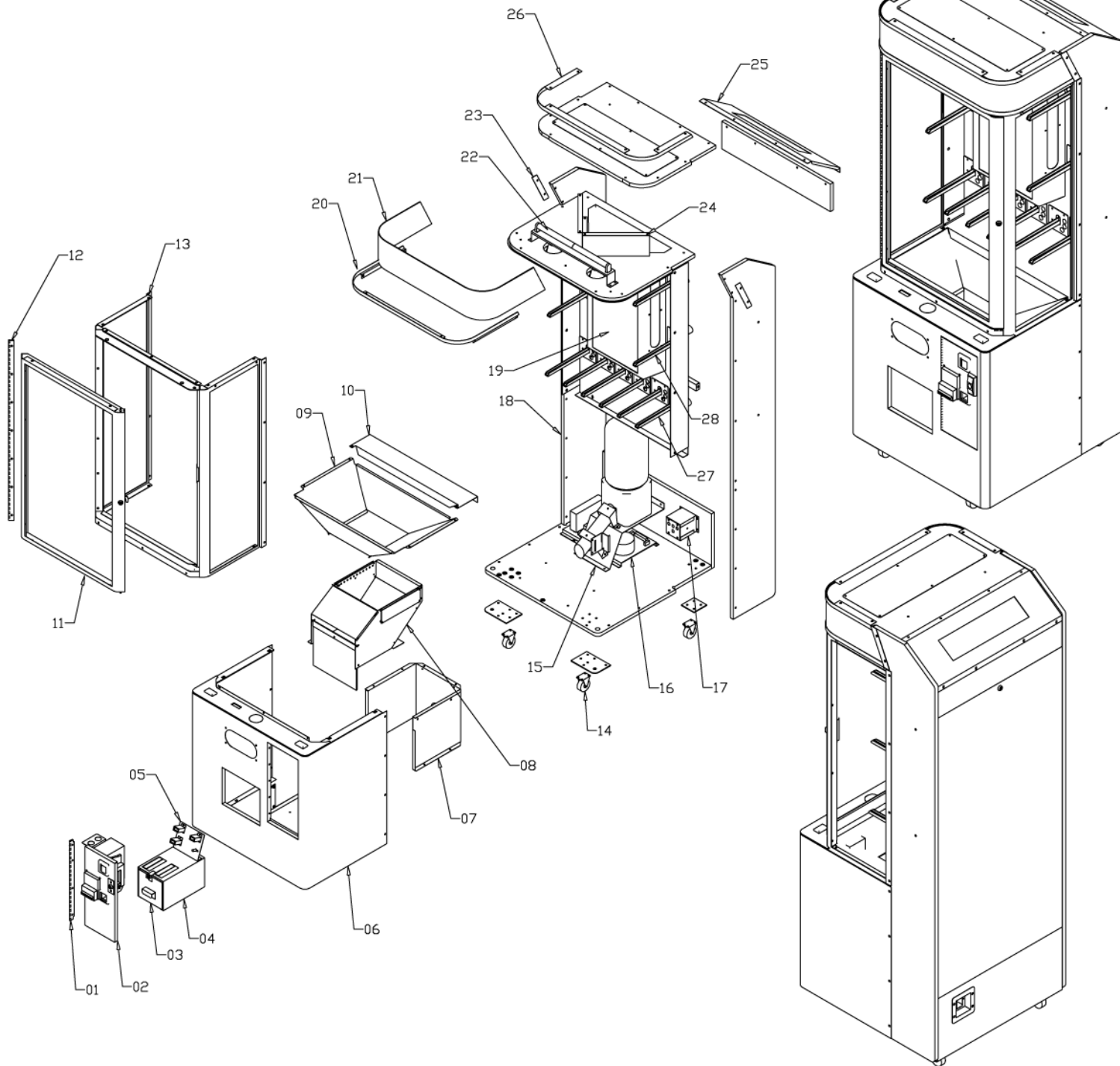


STACKER CLUB



NO	PART NO	DESCRIPTION	QTY
01	STC-FM-51-R1	COIN DOOR HINGE	1
02	-	COIN DOOR ASSY 1DBA, 1 SLOT	1
03	STC-SA-59-RO	CASH BOX	1
04	STC-SA-60-RO	HOUSING CASHBOX	1
05	STC E008	COIN COUNTER PANEL ASSEMBLY	1
	STC-FM-38-RO	COIN COUNTER BRACKET	1
	EA1252	COIN COUNTER 12V REAR MOUNTING	3
	E00689	POTENSIO CARBON WITH KNOB	1
	EP0602	KNOB VOLUME	1
06	STC A003	FRONT PANEL ASSEMBLY	1
	STC-SA-01-RO	FRONT PANEL METAL ONLY	1
	STC-FP-06-RO	ACRILLIC CONTROL PANEL	1
	STC-FM-37-RO	SPEAKER GRILL	1
	EA0533	PUSH BUTTON BLUE	1
	EA0507	SWITCH RECT GREEN BUTTON WITH LAMP	1
	EA0556	SWITCH RECT RED BUTTON WITH LAMP	1
	BA2601	PCB51 2cm 4 DIGIT DISPLAY	1
	AT3214	STICKER STK FRONT LOWER CABINET	1
	EA1201	SPEAKER 4" 8 OHM 40 W	2
07	STC-FM-02-RO	PRIZE RECEIVAL BOX	1
08	-	PRIZE BOX ASSEMBLY	1
	STC A004A	PRIZE BOX METAL ONLY	1
	BA2602	PCB59a SB PRIZE SENSOR MASTER	1
	BA2603	PCB59b SB PRIZE SENSOR SLAVE	1
	STC A004B	PRIZE DOOR WITH STICKER	1
09	STC-SA-09-RO	PRIZE CHUTE ASSEMBLY	1
10	STC-FM-10-RO	PANEL LOWER RETAINER	1
11	STC A001	FRONT DOOR ASSEMBLY	1
12	STC-FM-56-RO	FRONT DOOR HINGE	1
13	STC A007	SIDE SKIN ASSEMBLY	1
14	HMO016	CASTOR 2" SWIVEL	4
15	CD A001	CAPSULE DISPENCER ASSEMBLY	1
16	STC E007	POWER ASSEMBLY	1
17	STC E005	DB BOX ASSEMBLY	1
	STC E005A	DB BOX METAL ONLY	1
	EA1356	BINDING POST	1
	EA1358	SPLIT CORE EMI FILTER FOR CE MACHINE	1
	EA0649	IEC TYPE NOISE EMY FILTER	1
	STC H001	DB BOX HARNESS	1
	EA0635	POWER LEAD MOLDED IEC TO 3 PIN USA	1
	EA0636	POWER LEAD MOLDED IEC TO 2 PIN INDO	1
	EA0637	POWER LEAD MOLDED IEC TO 3 PIN AU	1
	EA0639	POWER LEAD MOLDED IEC TO 3 PIN UK	1
18	STC A005	SIDE PANEL ASSY	1R,1L
	STC-FW-06-RO	SIDE PANEL	1
	AT3211	STICKER STK SIDE R/L	1
19	STC E003	DISPLAY PANEL ASSEMBLY	1
20	STC-FM-22-RO	MYLAR LOWER BRACKET	1
21	AT3213	ACRILLIC HEADER	1
22	STC E006	TOP LIGHT STACKER	1
	EA0206	LAMPU NEON 18W COOL WHITE	1
	EP0434	END CAP HOLDER MODEL 713 HS	2
	STC-FM-15-RO	TOP UL BRACKET	1
23	STC-FM-36-RO	MYLAR SIDE RETAINER	2
24	STC-FM-35-RO	MYLAR DIVIDER	1
25	STC-SA-19-RO	MYLAR BACK COVER	1
26	STC-FM-21-RO	MYLAR TOP RETAINER	1
27	STC E001	PRIZE ARM MEDIUM ASSY WITH PCB	6
28	STC E002	PRIZE ARM LONG ASSY WITH PCB	4
-	STC H004	MAIN HARNESS	1