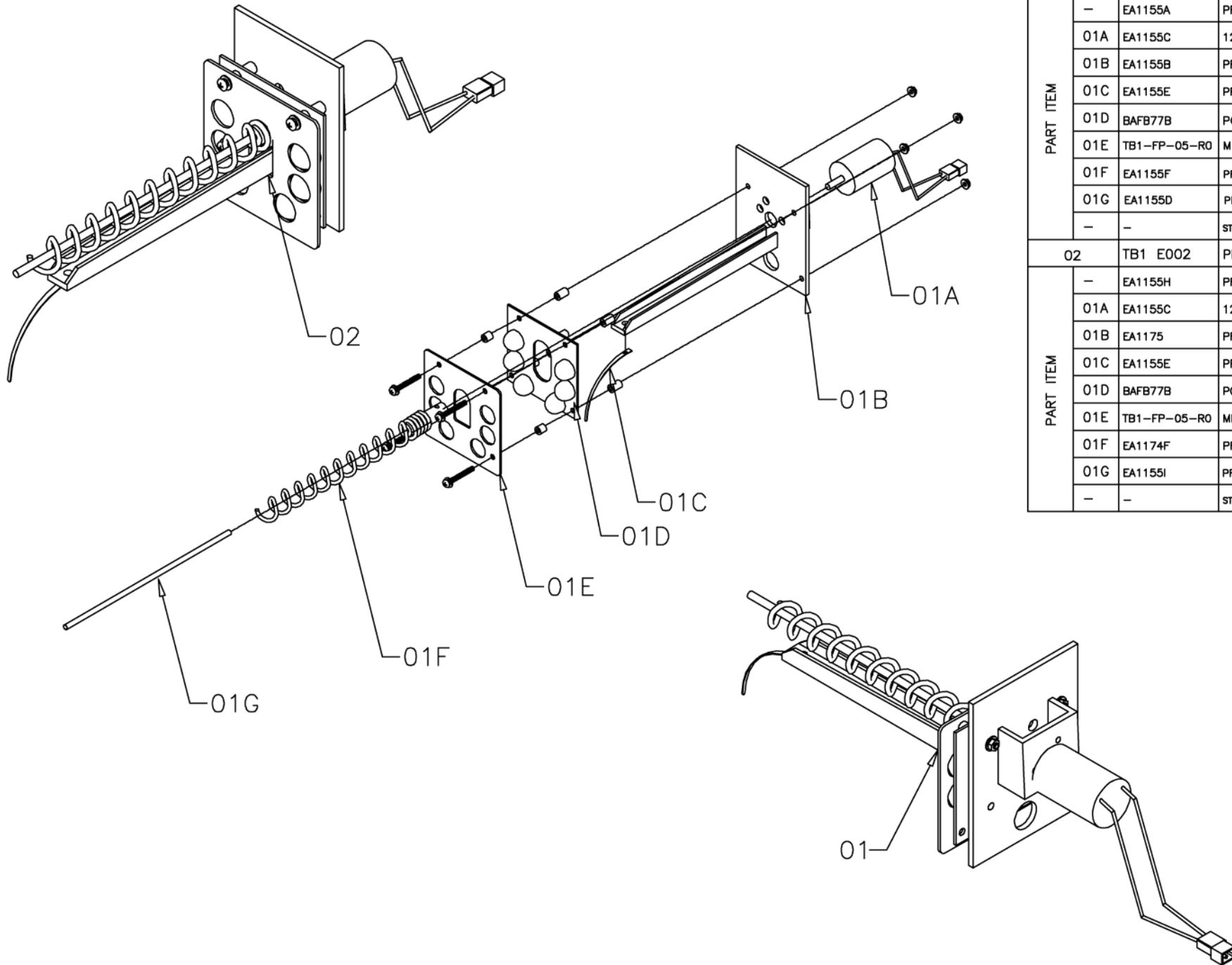


TIME BUSTER



NO	PART NO	DESCRIPTION	QTY	
01	TB1 E001	PRIZE ARM LONG ASSY WITH PCB	3	
PART ITEM	-	EA1155A	PRIZE ARM LONG ASSY WITHOUT PCB	3
	01A	EA1155C	12VDC MOTOR JM 300-3259	3
	01B	EA1155B	PRIZE DISP ARM SILVER PLASTIC ONLY	3
	01C	EA1155E	PRIZE DISP ARM TONGUE SLIDE	3
	01D	BAFB77B	PCBFB77B WITH 6 LED INTO ONE PCB	3
	01E	TB1-FP-05-R0	MIRROR LED PANEL	3
	01F	EA1155F	PRIZE DISP ARM SPIRAL, 16.5 +/-1.5 ROT	3
	01G	EA1155D	PRIZE DISP ARM LOCKING PIN LENGHT,28 CM	3
	-	-	STICKER TME BUSTER MAJOR FOR PRIZE ARM	3
02	TB1 E002	PRIZE ARM MEDIUM ASSY WITH PCB	5	
PART ITEM	-	EA1155H	PRIZE ARM MEDIUM ASSY WITHOUT PCB	5
	01A	EA1155C	12VDC MOTOR JM 300-3259	5
	01B	EA1175	PRIZE DISP ARM SILVER PLASTIC ONLY	5
	01C	EA1155E	PRIZE DISP ARM TONGUE SLIDE	5
	01D	BAFB77B	PCBFB77B WITH 6 LED INTO ONE PCB	5
	01E	TB1-FP-05-R0	MIRROR LED PANEL	5
	01F	EA1174F	PRIZE DISP ARM SPIRAL MEDIUM	5
	01G	EA1155I	PRIZE DISP ARM LOCKING PIN SMALL,22.5 CM	5
	-	-	STICKER TIME BUSTER MINOR FOR PRIZE ARM	5