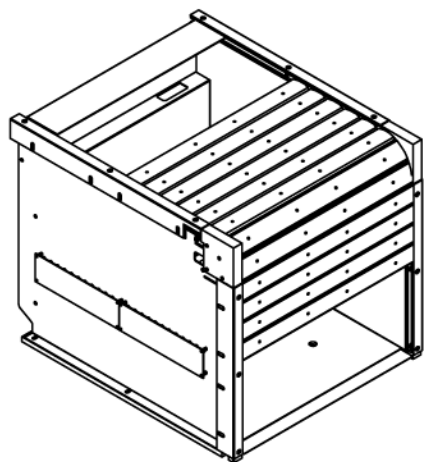
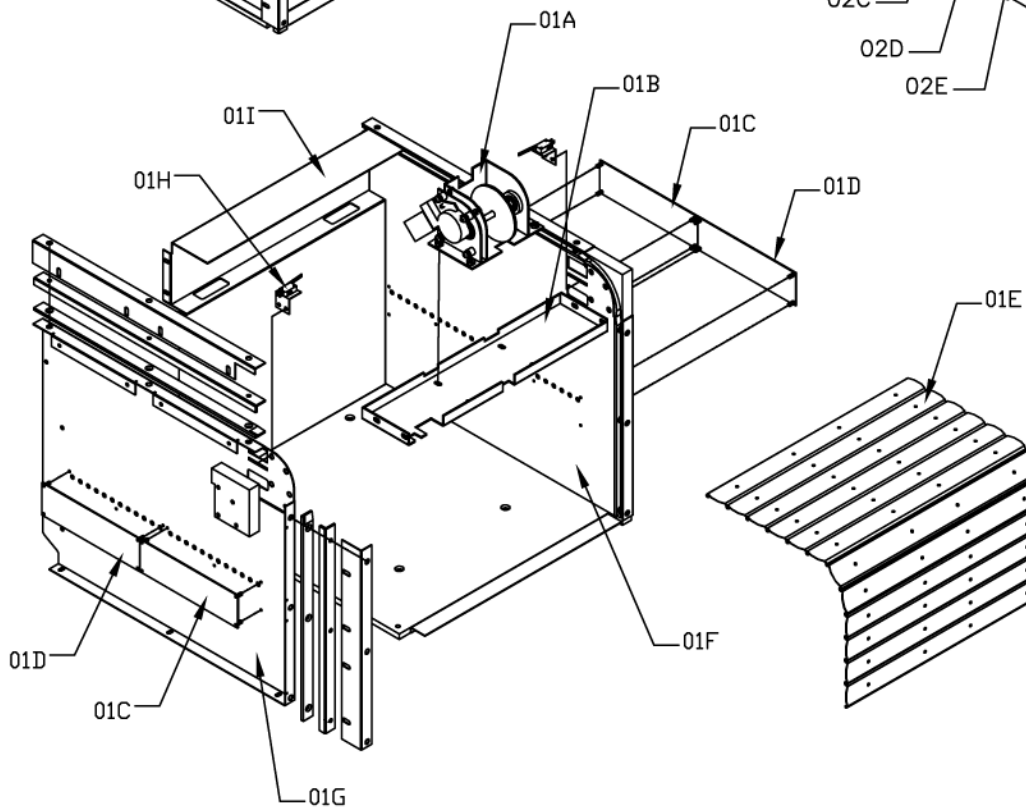
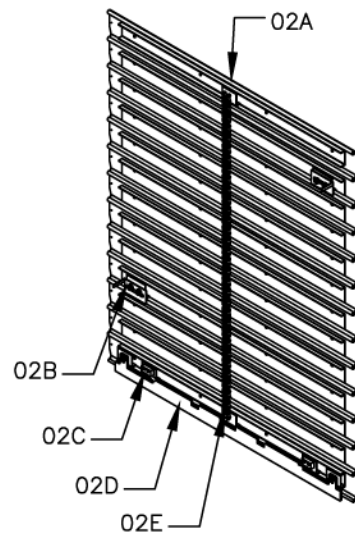


STACKER GIANT

01. ROLLING DOOR ASSEMBLY



02. ROLLING DOOR ALMUNIUUM



NO	PART NO	DESCRIPTION	QTY	
01	STG A004	ROLLING DOOR ASSEMBLY	1	
PART ITEM	01A	STG A002	DRIVEN MECHANISM ASSEMBLY	1
	01B	STG-FM-30-R1	DRIVER MECHANISM BASE	1
	01C	BAFB89a	PCB FB89a SENSOR MASTER	2
	-	EE2417	LED SENSOR MASTER BM13E4G (Spart Part)	-
	01D	BAFB89b	PCB FB89b SENSOR SLAVE	2
	-	EE2416	LED SENSOR SLAVE BP1934 (Spart Part)	-
	01E	STG A001	ROLLING DOOR ALUMINIUM	1
	01F	STG-SA-27-RO	SIDE PRIZE BOX RIGHT WITHOUT PCB	1
	01G	STG-SA-27-RO	SIDE PRIZE BOX LEFT WITHOUT PCB	1
	01H	EA0406	MICROSWITCH LEVER 51mm WITH BRACKET	2
	01I	STG-FM-28-RO	BACK SECTION	1
-	STG H003	ROLLING DOOR HARNESS	1	
-	AT3319	STICKER PRIZE DOOR	2	
02	STG A001	ROLLING DOOR ALMUNIUUM	1	
PART ITEM	02A	-	ALMUNIUUM STRIP	1
	02B	STG-FM-46-R2	SWITCH KNOCKER ARM	1R,1L
	02C	EA0410	MICROSWITCH LEVER SMALL	2
	02D	STG-FM-36-RO	SLIDING PLATE	1
	02E	HM2958	ROLL DOOR CHAIN	1
03	STG A002	DRIVEN MECHANISM ASSEMBLY	1	
PART ITEM	03A	STG-SA-37-RO	DRIVEN MECHANISM BRACKET	1
	03B	HM2863	BEARING 6200ZZ	2
	03C	-	DRIVER SPROCKET	1
	03D	-	MOTOR BRACKET SPACER	4
	03E	-	GEAR ASSEMBLY	1
	03F	-	MOTOR BRACKET	1
	03G	EA1173	POWER WINDOW MOTOR 74R	1

03. DRIVEN MECHANISM ASSEMBLY

