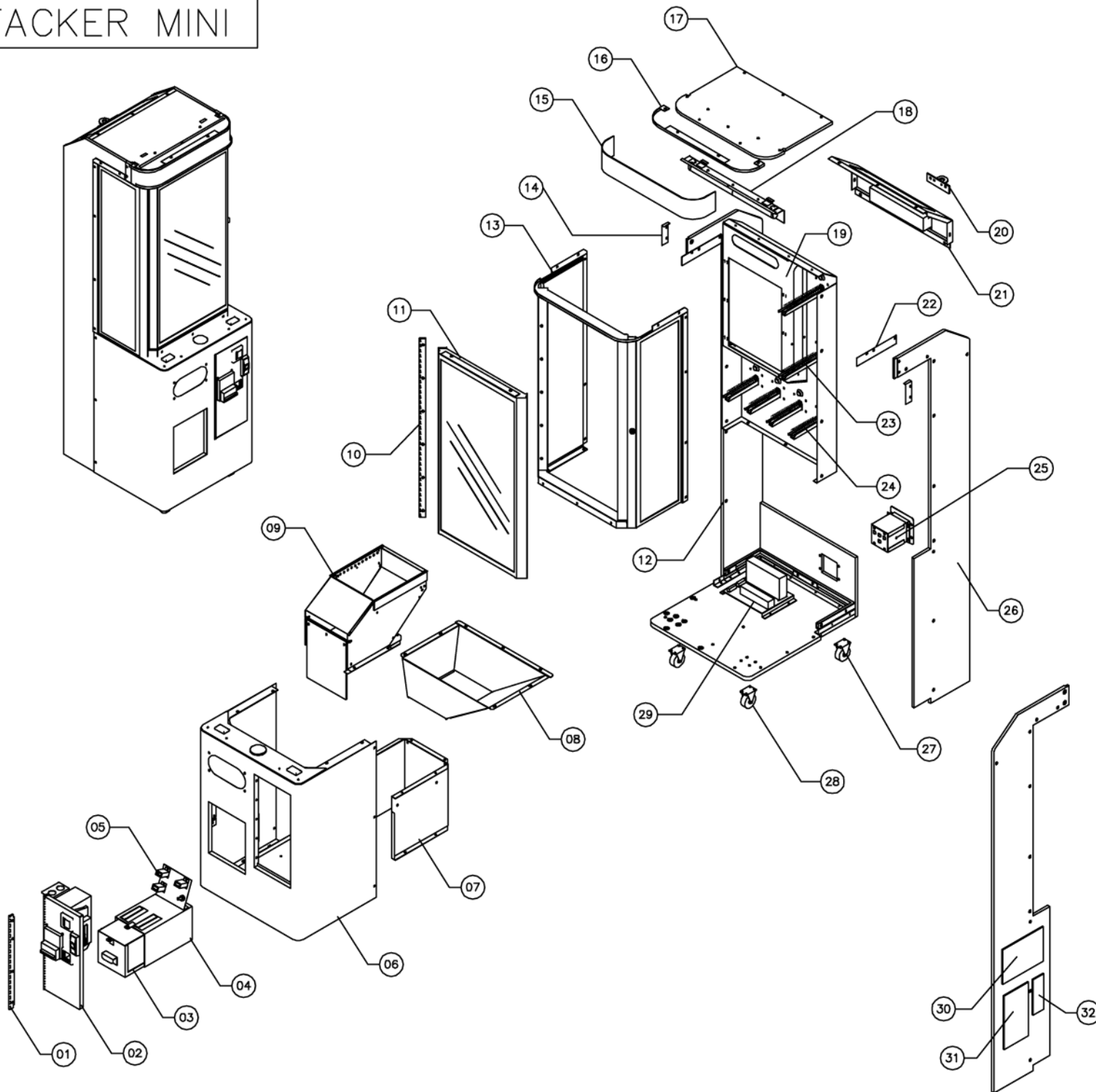


# STACKER MINI



NO	PART NO	DESCRIPTION	QTY
01	SM-FM-29-R1	COIN DOOR HINGE	1
02	SM A008	COIN DOOR ASSY	1
03	SM-SA-40-R0	CASH BOX	1
04	SM-SA-39-R0	HOUSING CASHBOX	1
05	SM E001	SERVICE PANEL ASSEMBLY	1
	PART ITEM		
	SM-FM-07-R0	COIN COUNTER BRACKET	1
	EA1252	COIN COUNTER 12V REAR MOUNTING	3
	EED688	POTENSIO CARBON WITH KNOB	1
	EP0602	KNOB VOLUME	1
	SM H001	HARNES SERVICE PANEL	1
06	SM A001	FRONT PANEL ASSEMBLY	1
	PART ITEM		
	SM-SA-31-R0	FRONT PANEL METAL ONLY	1
	SM-FP-01-R0	ACRILIC CONTROL PANEL	1
	SM-FM-27-R0	SPEAKER GRILL	1
	EA0563	PUSH BUTTON RED	1
	EA0507	SWITCH RECT GREEN BUTTON WITH LAMP	1
	EA0545	SWITCH RECT BLUE BUTTON WITH LAMP	1
	BA2601	PCB51 2cm 4 DIGIT DISPLAY	1
	AT3704	STICKER SM FRONT LOWER CABINET	1
	EA1201	SPEAKER 4" B OHM 40 W	2
07	SM-FM-01-R0	PRIZE RECEIVEL BOX	1
08	SM-SA-34-R0	PRIZE CHUTE ASSEMBLY	1
09	SM A002	PRIZE BOX ASSEMBLY	1
	PART ITEM		
	SM A004A	PRIZE BOX METAL ONLY	1
	BA2602	PCB59a SB PRIZE SENSOR MASTER	1
	BA2603	PCB59b SB PRIZE SENSOR SLAVE	1
	SM A004B	PRIZE DOOR WITH STICKER	1
10	SM-FM-28-R0	FRONT DOOR HINGE	1
11	SM A003	FRONT DOOR ASSEMBLY	1
12	SM A004	SIDE PANEL ASSY	1R
	ITEM		
	SM-FW-04-R0	SIDE PANEL RIGHT	1
	AT3211	STICKER STACKER MINI SIDE RIGHT	1
13	SM A005	SIDE SKIN ASSEMBLY	1
14	SM-FM-22-R0	MYLAR SIDE RETAINER	1R,1L
15	SM-FP-04-R0	ACRYLIC MYLAR FRONT PANEL	1
16	SM-FM-21-R0	MYLAR TOP RETAINER	1
17	SM-FW-06-R0	MYLAR TOP PANEL	1
18	SM E002	TOP LIGHT STACKER MINI ASSY	1
	ITEM		
	EA0206	FLUORESCENT 18W COOL WHITE	1
	EP0434	END CAP HOLDER MODEL 713 HS	2
	SM-FM-20-R0	BRACKET FLUORESCENT	1
19	SM E003	DISPLAY PANEL ASSEMBLY	1
20	SM-SA-35-R0	REAR LOCKING BRACKET	2
21	SM-SA-30-R0	MYLAR BACK COVER ASSY	1
22	SM-FM-12-R0	SIDE GLASS UPPER CLAMP	2
23	EA1155H	PRIZE ARM MAJOR	2
24	EA1155K	PRIZE ARM MINOR	4
25	SM E004	DB BOX ASSEMBLY	1
	PART ITEM		
	SM E005A	DB BOX METAL ONLY	1
	EA1356	BINDING POST	1
	EA1358	SPLIT CORE EMI FILTER FOR CE MACHINE	1
	EA0648	IEC TYPE NOISE EMI FILTER	1
	SM H001	DB BOX HARNES	1
	EA0635	POWER LEAD MOLDED IEC TO 3 PIN USA	1
	EA0636	POWER LEAD MOLDED IEC TO 2 PIN INDO	1
	EA0637	POWER LEAD MOLDED IEC TO 3 PIN AU	1
	EA0638	POWER LEAD MOLDED IEC TO 3 PIN UK	1
26	SM A006	SIDE PANEL ASSY	1L
	ITEM		
	SM-FW-05-R0	SIDE PANEL LEFT	1
	AT3211	STICKER STACKER MINI SIDE LEFT	1
27	HMO065	CASTOR 2" FIX	2
28	HMO078	CASTOR 2" SWIVEL BRAKE	2
29	SM E005	POWER ASSEMBLY	1
30	BAFB66A	PCB FB66A MPU CONTROLER	1
31	BAFB52C	PCB FB52C 16 MHz Z80	1
32	BA0029	PCBFB29 STEREO AUDIOAMPLIFIER	1