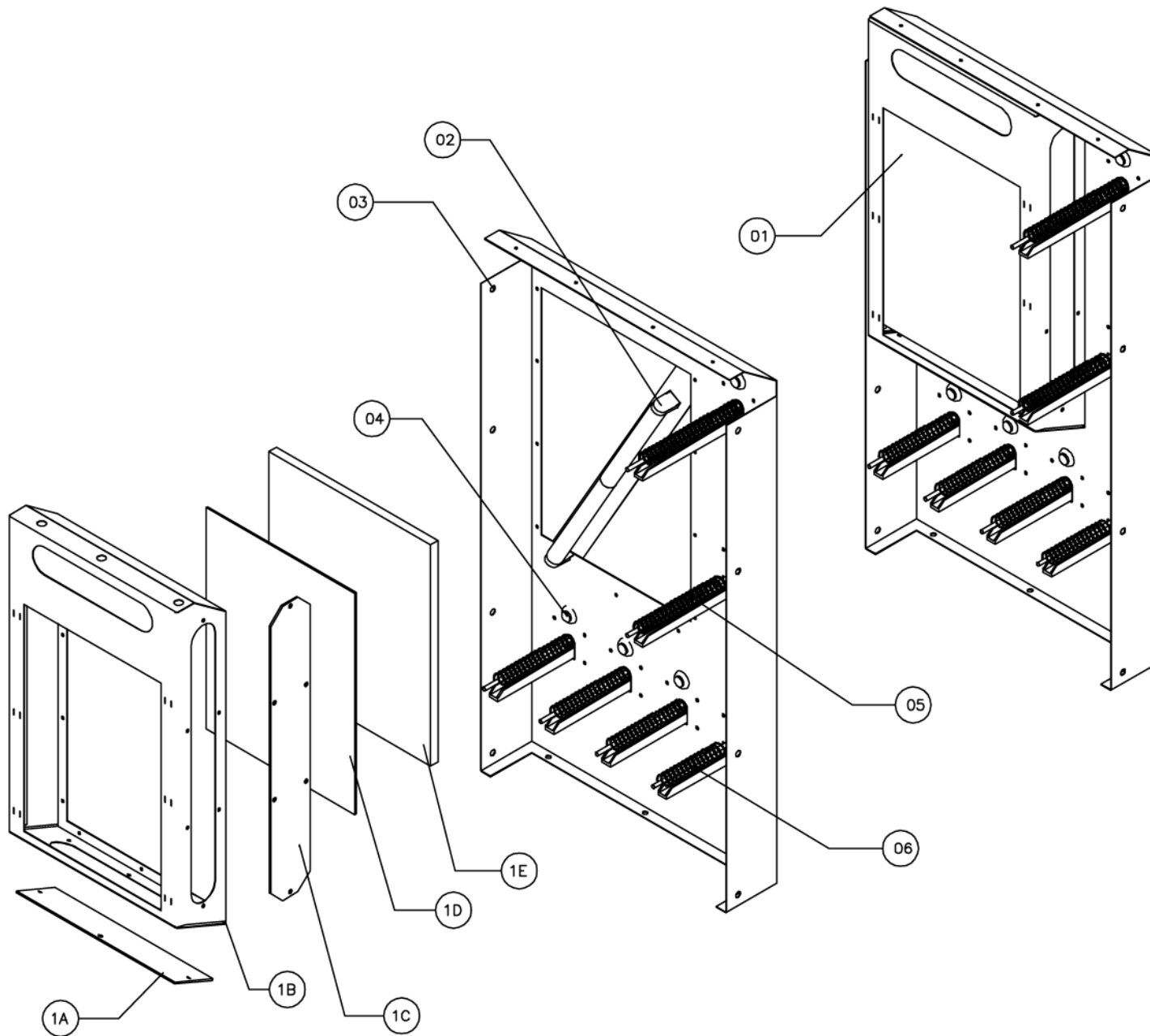


STACKER MINI



NO	PART NO	DESCRIPTION	QTY	
01	SM E003	DISPLAY LIGHTING ASSEMBLY	1	
SUB ASSY	01A	SM-FP-06-R0	ACRYLIC COVER BOTTOM DISPLAY	1
	01B	SM-SA-32-R0	DISPLAY PANEL METAL ONLY	1
	01C	SM-FP-05-R0	ACRYLIC COVER SIDE DISPLAY	1
	01D	SM-FP-03-R0	ACRYLIC DISPLAY RED	1
	01E	BAFB82A	PCBF82A RSL RED LED DISPLAY	2
	-	EE2414	CUBE LED RED COLOR	40
	-	AT3705	STICKER STACKER MINI MAJOR PRIZE	1
-	AT3706	STICKER STACKER MINI MINOR PRIZE	1	
02	SM E006	NEON DISPLAY ASSEMBLY	1	
SUB ASSY	02A	EA0206	LAMPU NEON 18W COOL WHITE	1
	02B	EP0434	END CAP HOLDER MODEL 713-HS	2
	02C	SM-FM-14-R0	BRACKET NEON UL	1
03	SM A007	MAIN PANEL ASSY	1	
ITEM	SM-FM-13-R0	MAIN PANEL METAL ONLY	1	
	AT3707	STICKER MAIN PANEL	1 SET	
04	BAFB146	PCB PRIZE LED INDICATOR STACKER MINI	6	
05	EA1155H	PRIZE ARM MAJOR	2	
06	EA1155K	PRIZE ARM MINOR	4	