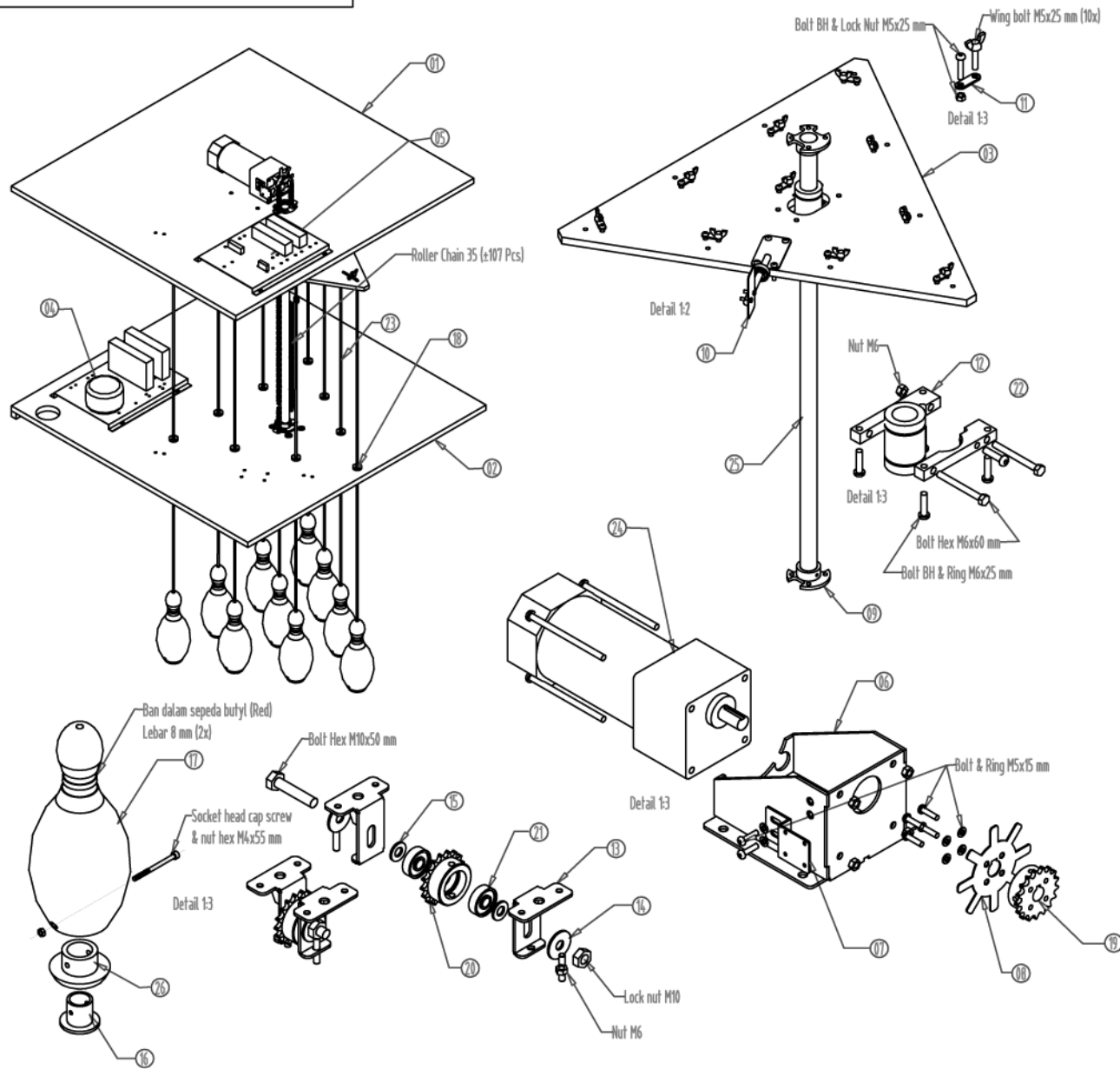


PIN LIFTER MECHANIC ASSEMBLY



No	Code	Description	Qty
1	SS1-FW-006-R0	Pin lifter upper base	1
2	SS1-FW-007-R0	Pin lifter lower base	1
3	SS1-FW-009-R0	Pin rope hanger	1
4	SS1-FM-052-R0	Bracket travo lamp	1
4A	-	Power Supply	2
4B	-	Trafo Step Down	1
5	SS1-FM-053-R0	Bracket power supply	1
5A	-	Ballast	2
5B	-	Starter	1
5C	-	Terminal	1
6	SS1-SA-041-R0	Pin lifter motor bracket subassy	1
7	SS1-FM-046-R0	Pin lifter encoder bracket	1
8	SS1-FM-007-R0	Encoder disk	1
9	SS1-FM-032-R0	Lifter bracket	2
10	SS1-SA-019-R0	Pin sensor lifter subassy	1
11	SS1-FM-042-R0	Plate rope lock	10
12	SS1-FM-033-R0	Lifter slider base bracket	1
13	SS1-SA-018-R0	Lifter gear bracket subassy	2
14	SS1-SA-005-R0	Pin lifter ejuster subassy	2
15	SS1-FM-043-R0	Pin lifter tensioner washer	2
16	SS1-FM-050-R0	Bolt pin bowling	10
17	SS1-FP-004-R0/SS1-FP-004-R0	Pin bowling	10
18	SS1-FP-002-R0	Rope retainer bushing	10
19	SS1-M-003-R0	Pin lifter upper sprocket	1
20	SS1-M-004-R0	Pin lifter lower sprocket	1
21	-	Bearing 6200 ZZ	2
22	-	Linear bushing LM25	1
23	-	Braided Ropes black Ø5 mm (@ 1000 mm)	10
24	-	AC Magnetic brake motor	1
25	-	Linear Shaft Ø25 x 771 mm	1
26	SS1-FP-039-R0	Pin mounting	10