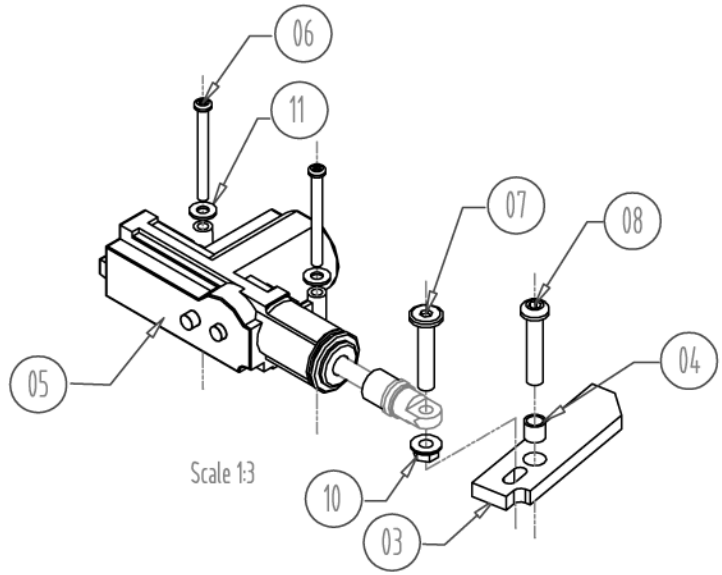


# PIN LOCKING ASSEMBLY



No	Code	Description	Qty
1	SSI-SA-003-R0	Pin stopper base subassy	1
2	SSI-FP-001-R0	Lifter slider base bracket	10
3	SSI-FP-003-R0	Pin stopper arm	10
4	SSI-FM-051-R0	Bushing pin stopper arm	10
5	-	Solenoid 12 V	10
6	-	Baut JP M4x40 mm	20
7	-	Baut BH M5x20 mm	10
8	-	Baut BH M6x30 mm	10
9	-	Knock down Bolt M6x30 mm	53
10	-	Flange nut M5	10
11	-	Plate washer M4	20

