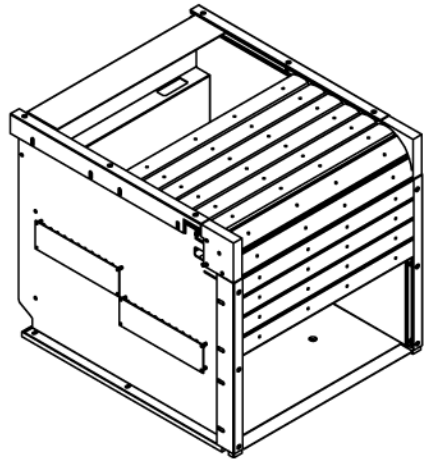
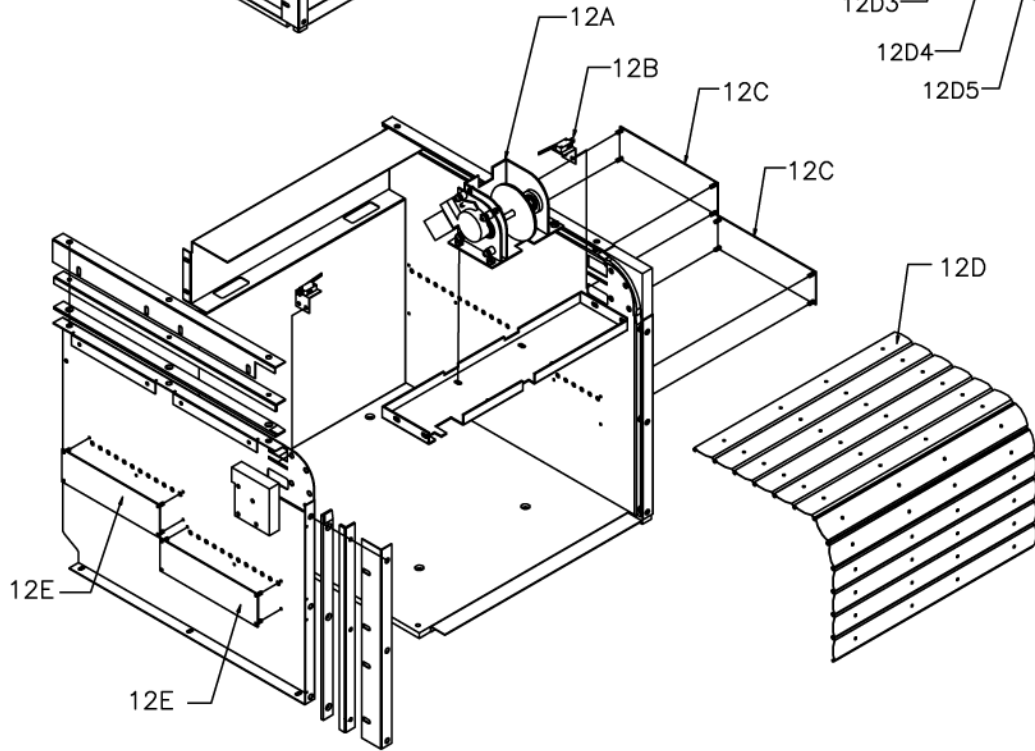
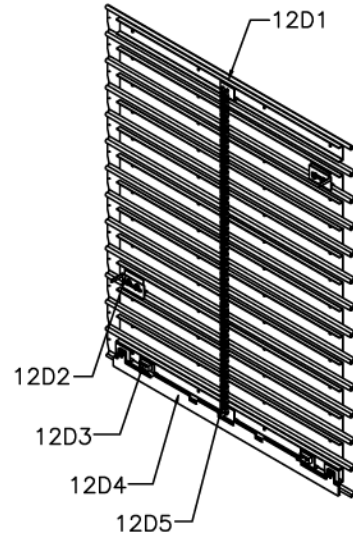


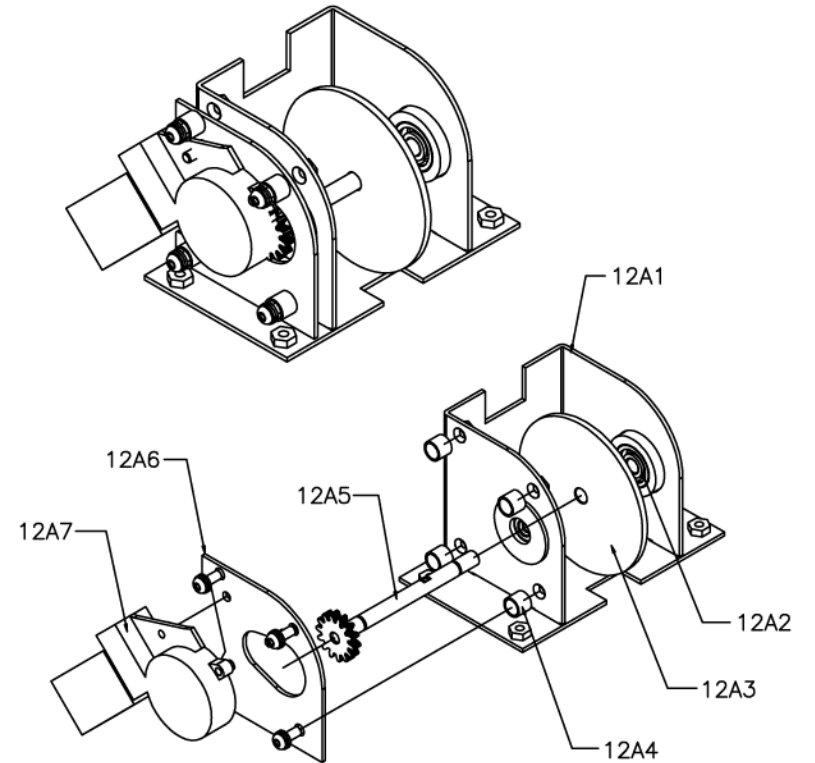
12. LHG A006 ROLLING DOOR ASSEMBLY



12D. LHG A006B ROLLING DOOR ALMUNUM



12A. LHG A006A DRIVEN MECHANISM ASSEMBLY



	NO	CODE	DESCRIPTION	QTY
	12	LHG A006	ROLLING DOOR ASSEMBLY	1
PART ITEM	12A	LHG A006A	DRIVEN MECHANISM ASSEMBLY	1
	12A1	LHG-SA-37-RO	DRIVEN MECHANISM BRACKET	1
	12A2	HM2863	BEARING 6200ZZ	1
	12A3	LHG-FM-89-RO	DRIVER SPROCKET	1
	12A4	LHG-FM-81-R1	MOTOR BRACKET SPACER	1
	12A5	LHG-SA-40-RO	GEAR ASSEMBLY	1
	12A6	LHG-FM-38-RO	MOTOR BRACKET	1
	12A7	EA1173	POWER WINDOW MOTOR 74R	1
	12B	EA0406	MICROSWITCH LEVER 51mm WITH BRACKET	2
	12C	BAFB89A	PCB FB89a SENSOR MASTER	2
	12D	LHG A006B	ROLLING DOOR COVER	1
	12D1	LHG A006B1	ALMUNUM STRIP	1 SET
	12D2	LHG-FM-46-R2	SWITCH KNOCKER ARM	2
	12D3	EA0410	MICROSWITCH LEVER SMALL	2
12D4	LHG-FM-36-RO	SLIDING PLATE	1	
12D5	HM2958	ROLL DOOR CHAIN	1	
12E	BAFB89B	PCB FB89b SENSOR SLAVE	2	
12F	AT3309	STICKER PRIZE DOOR	1	
-	LHG H005	ROLLING DOOR HARNESS	1	