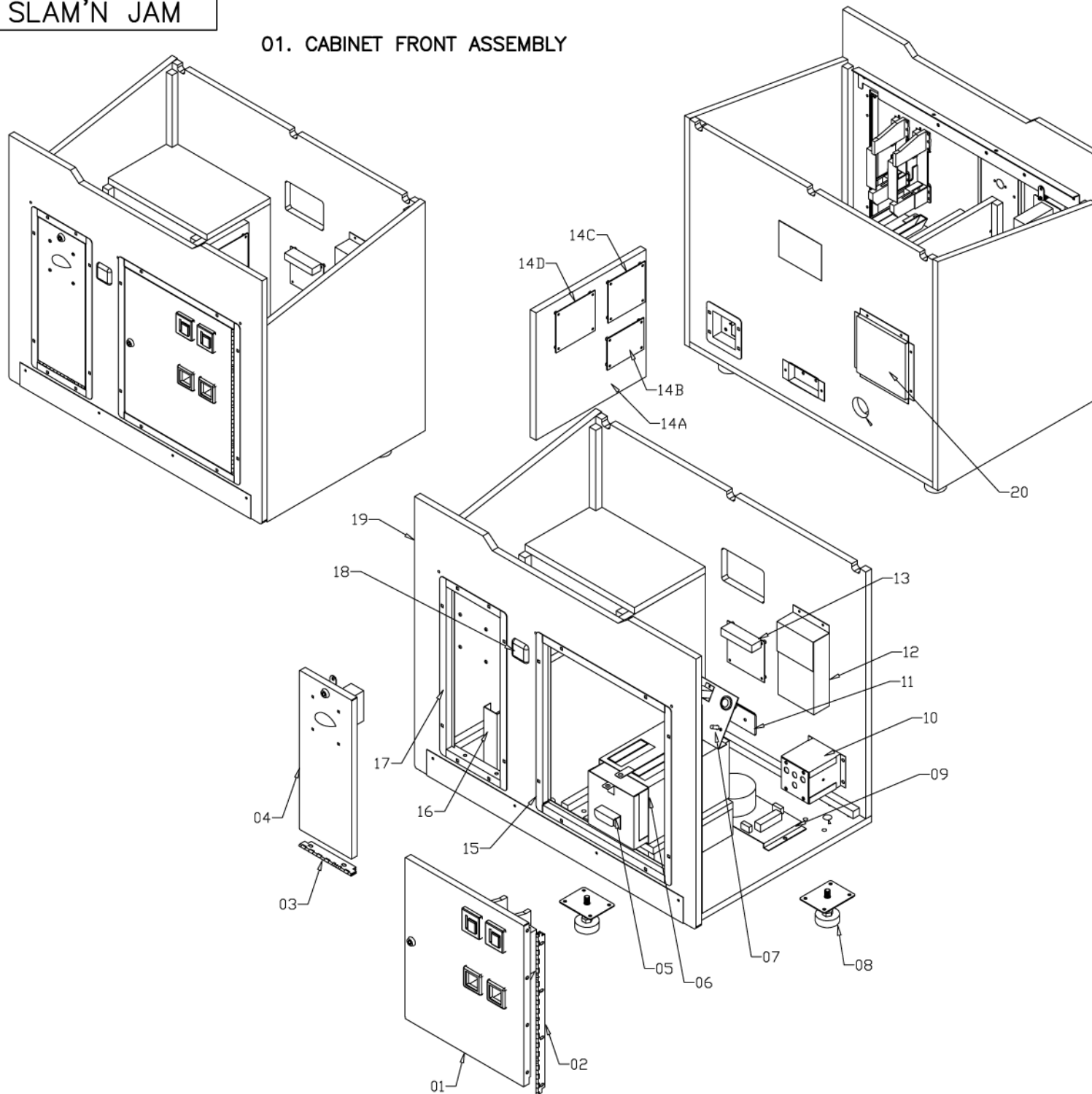


01. CABINET FRONT ASSEMBLY



NO	PART NO	DESCRIPTION	QTY	
01	SNJ A001	FRONT CABINET ASSEMBLY	1	
PART ITEM	01	SNJ A001	COINDOOR DOUBLE SLOT ASSEMBLY	1
	01A	SNJ-FM-18-R0	COINDOOR DOUBLE SLOT METAL ONLY	1
	01B	HM0004	LOCK ANGLE	1
	01C	HM0014	COIN MECHANISM	2
	01D	AT1807	STICKER FRONT	1
	01E	SNJ H001	COINDOOR DOUBLE SLOT HARNESS	1
		OPTIONAL		
	-	SNJ-FM-18A-R0	COINDOOR DBA, 1 SLOT METAL ONLY	1
	-	SNJ H001a	COINDOOR DBA, 1 SLOT HARNESS	1
	02	SNJ-FM-24-R0	COINDOOR HINGE	1
03	SNJ-FM-44-R0	TICKET DOOR HINGE		
04	SNJ A002	TICKET DOOR	1	
PART ITEM	04A	SNJ-FM-32-R0	TICKET DOOR METAL ONLY	1
	04B	EA1102	TICKET DISPENSER ENTROPY	1
	04C	HM0004	LOCK ANGLE	1
	04D	AT1807	STICKER FRONT	1
	04E	SNJ H002	TICKET DOOR HARNESS	1
05	SNJ-SA-36-R0	CASH BOX	1	
06	SNJ-SA-35-R0	HOUSING CASH BOX	1	
07	SNJ A003	SERVICE PANEL ASSEMBLY	1	
PART ITEM	07A	SNJ-FM-51-R0	SERVICE BRACKET METAL ONLY	1
	07B	EA0519	SWITCH SMALL ROUND RED BUTTON	1
	07C	EA0520	SWITH SMALL ROUND GREEN BUTTON	1
	07D	EA1252	COIN COUNTER 12V REAR MOUNTING	1
	07E	EE0689	POTENSIO KARBON DUAL GANG 50K OHM	1
	07F	EP0602	KNOB VOLUME	1
-	SNJ H009	SERVICE PANEL HARNESS	1	
08	HM0002	RUBBER MACHINE GLIDE	9	
09	SNJ A004	POWER ASSEMBLY	1	
PART ITEM	09A	SNJ-FM-31-R0	TRAF0 BRACKET	1
	09B	EA0815	TRANSFORMER MULTI TAP /2 x 12V 5A	1
	09C	EA0823	TRANSFORMER MULTI TAP /2 x 25V 3A	1
	09D	EA0614	TERMINAL BLOCK UL	1
	09D	EA0042	FUSE HOLDER	2
10	ST E005	DB BOX ASSEMBLY	1	
PART ITEM	10A	ST E005A	DB BOX METAL ONLY	1
	10B	EA1356	BINDING POST	1
	10C	EA1358	SPLIT CORE EMIFILTER FOR CE MACHINE	1
	10D	EA0649	IEC TYPE NOISE EMI FILTER WITH FUSE	1
	10D	ST H001	DB BOX HARNESS	1
	10E	EA0635	POWER LEAD MOLDED IEC TO 3 PIN USA	1
	10F	EA0636	POWER LEAD MOLDED IEC TO 2 PIN INDO	1
	10G	EA0637	POWER LEAD MOLDED IEC TO 3 PIN AU	1
	10H	EA0639	POWER LEAD MOLDED IEC TO 3 PIN UK	1
	11	SNJ A005	WIRING LINK ASSEMBLY	1
PART ITEM	11A	SNJ-FM-34-R0	WIRING LINK METAL ONLY	1
	10B	EA1353	JACK RCA FEMALE RED	1
	10C	EA1354	JACK RCA FEMALE BLACK	1
	10D	SNJ H010	LINK HARNESS	1
	12	EA1015	SWITCHING POWER SUPPLY S-150-12	1
13	BA1605	PCBFB53 TWIN AMPLIFIER BOARD SNJ	1	
14	EA1015	PCB PANEL ASSEMBLY	1	
PART ITEM	14A	SNJ-FW-12-R1	WOOD PC MOUNTING BOARD	1
	14B	BA1802	PCB FB49 8 CHANNEL AC DRIVER V2 SNJ	1
	14C	BAFB52C	PCB FB52C 16 MHz Z80 SOUND BOARD	1
	14D	BAFB80	PCB FB80 MCU CONTROLLER SNJ	1
	-	SNJ H007	MAIN HARNESS	1
15	SNJ-SA-25-R0	COINDOOR FRAME	1	
16	SNJ-FM-33-R0	TICKET HOLDER	1	
17	SNJ-SA-43-R0	TICKET DOOR FRAME	1	
18	EA0508	SWITCH WHITE SQUARE BUTTON	1	
19	SNJ-SA-23-R0	CABINET ASSY WITH STICKER FRONT	1	
-	AT1607	STICKER FRONT	1	
20	EA1203	SPEAKER 6" AUDAX	1	