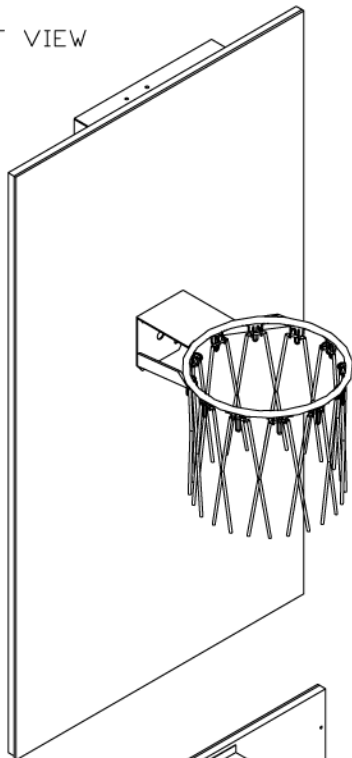


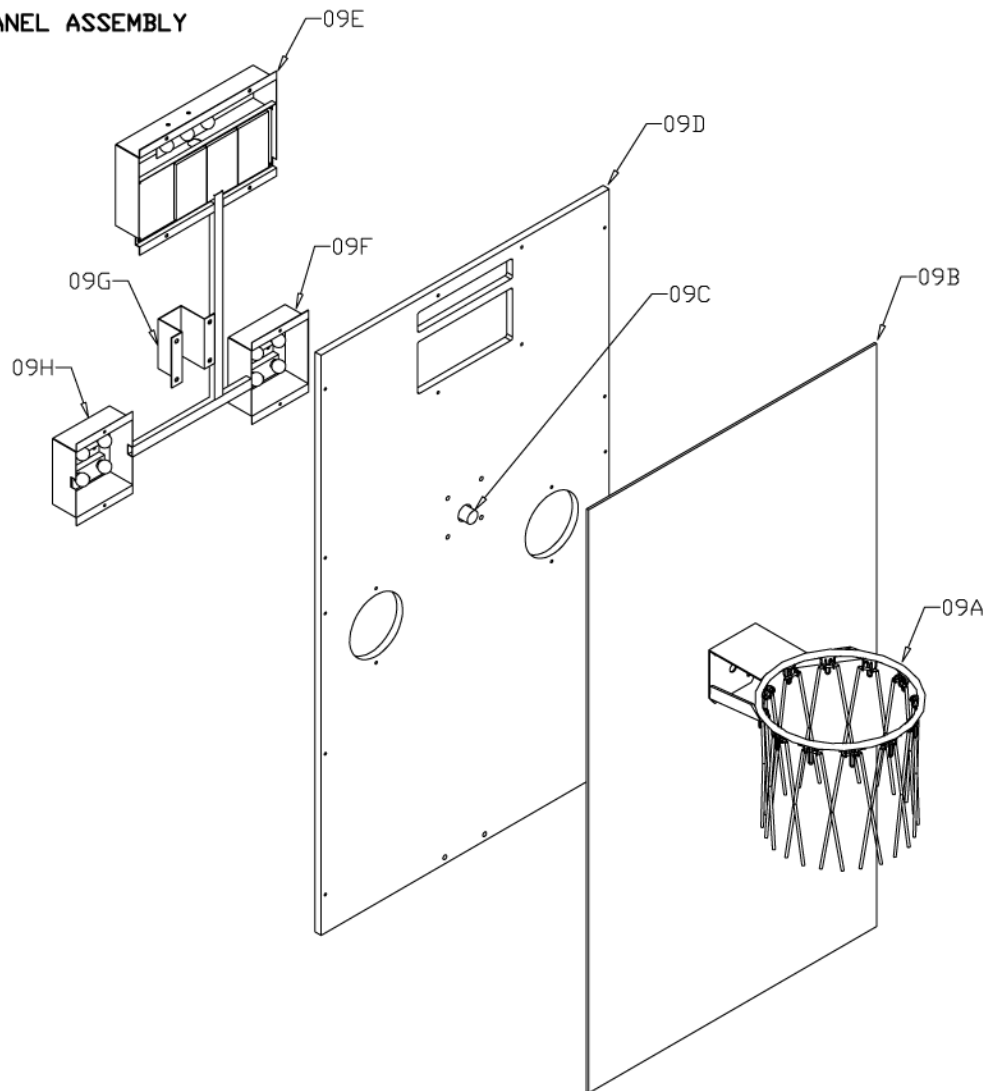
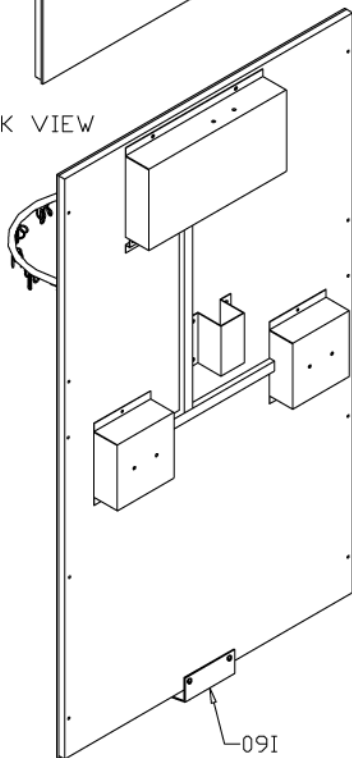
# SLAM'N JAM

## 09. BACK PANEL ASSEMBLY

FRONT VIEW



BACK VIEW



| NO        | PART NO         | DESCRIPTION                       | QTY                                    |   |
|-----------|-----------------|-----------------------------------|--|---|
| <b>09</b> | <b>SNJ A002</b> | <b>BACK PANEL ASSEMBLY</b>        | <b>1</b>                               |   |
| SUB ASSY  | 09A             | SNJ A006                          | RING BASKET ASSEMBLY                   | 1 |
|           | -               | HM1601                            | BASKET BALL HOOP RING ONLY             | 1 |
|           | -               | HM1604                            | BASKET BALL NETTING ONLY               | 1 |
|           | 09B             | AT1601                            | ACRILIC BACK PANEL SNJ                 | 1 |
|           | 09C             | EA1352                            | PHOTO ELECTRIC SENSOR                  | 1 |
|           | 09D             | SNJ-FW-04-R2                      | WOOD BACKBOARD                         | 1 |
|           | 09E             | SNJ A007                          | DISPLAY BOX ASSEMBLY                   | 1 |
|           | -               | SNJ-SA-04-R0                      | DISPLAY BOX METAL ONLY                 | 1 |
|           | -               | BA1601                            | PCB FB45a 3 DIGIT 7 SEGMENT 4" DISPLAY | 1 |
|           | -               | EA0232                            | LAMPU SC BAYONET GE 89                 | 3 |
|           | -               | EA0302                            | LAMPU HOLDER SC BAYONET 14-152F        | 3 |
|           | -               | SNJ H004                          | DISPLAY HARNES                         | 1 |
|           | 09F             | SNJ A008                          | 3 POINT LIGHT BOX ASSY RIGHT           | 1 |
|           | -               | SNJ-FM-01-R0                      | 3 POINT LIGHT BOX RIGHT METAL ONLY     | 1 |
|           | -               | SNJ H005                          | 3 POINT LIGHT BOX HARNES               | 1 |
| -         | EA0232          | LAMPU SC BAYONET GE 89            | 4                                      |   |
| -         | EA0302          | LAMPU HOLDER SC BAYONET 14-152F   | 4                                      |   |
| -         | SNJ-FM-03-R0    | 3 POINT LIGHT HOLDER METAL ONLY   | 1                                      |   |
| 09G       | SNJ-FM-13-R0    | SENSOR GUARD METAL ONLY           | 1                                      |   |
| 09H       | SNJ A009        | 3 POINT LIGHT BOX ASSY LEFT       | 1                                      |   |
| -         | SNJ-FM-02-R0    | 3 POINT LIGHT BOX LEFT METAL ONLY | 1                                      |   |
| -         | SNJ H005        | 3 POINT LIGHT BOX HARNES          | 1                                      |   |
| -         | EA0232          | LAMPU SC BAYONET GE 89            | 4                                      |   |
| -         | EA0302          | LAMPU HOLDER SC BAYONET 14-152F   | 4                                      |   |
| -         | SNJ-FM-03-R0    | 3 POINT LIGHT HOLDER METAL ONLY   | 1                                      |   |
| 09I       | SNJ-FM-15-R0    | REAR FLOOR SUPPORT                | 1                                      |   |