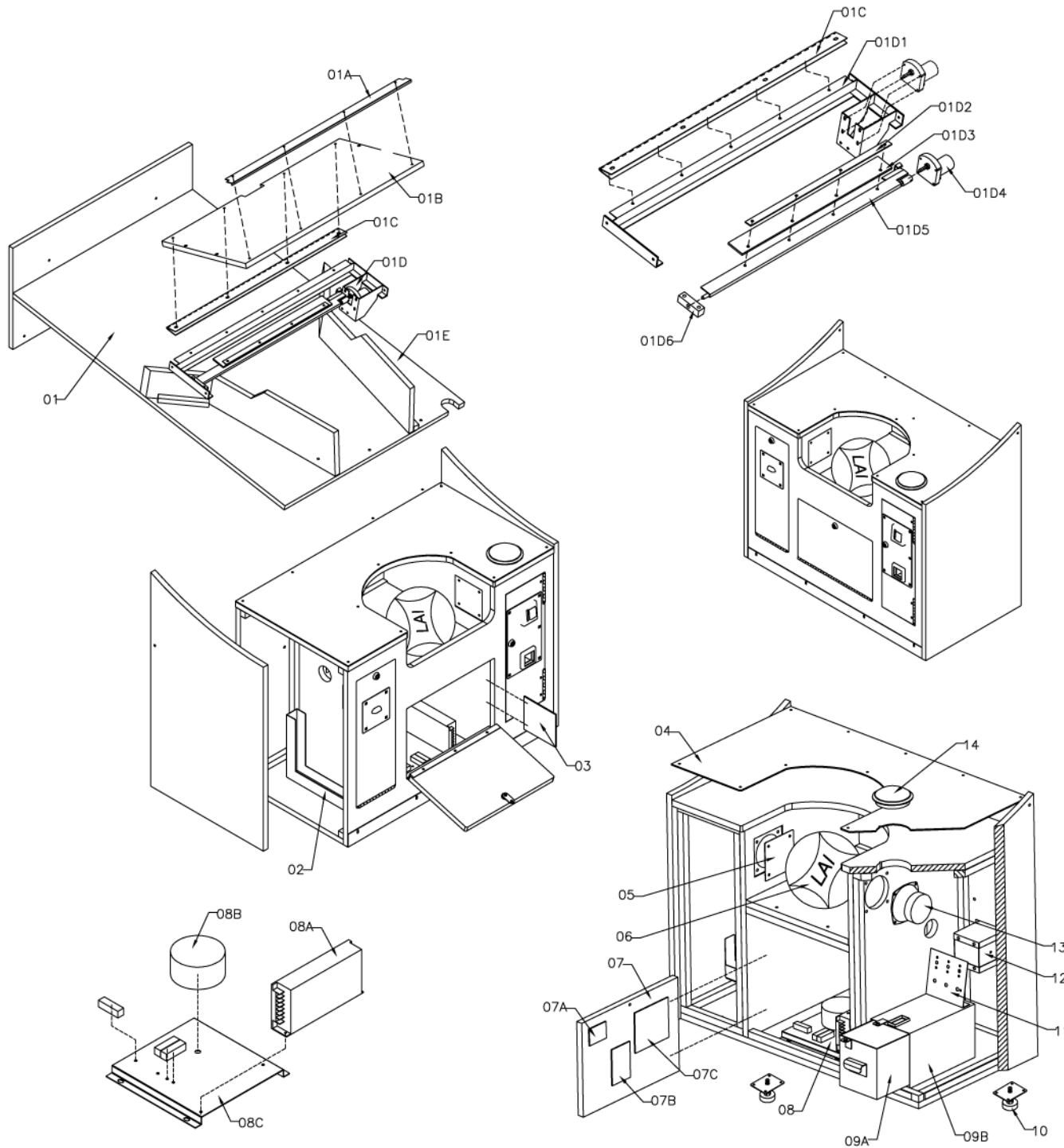


SLAM N' JAM Jr.



NO.	PART NO.	DESCRIPTION	QTY.		
01	SNJ JN A014a	BALL GATE ASSEMBLY	1 SET		
PART ASSEMBLY	01A	SNJ JN-FM-20-R1	CLAMP ACRILIC UPPER	1	
	01B	SNJ JN-FW-16-R0	UPPER PANEL BACK CABINET	1	
	01C	SNJ JN-FM-42-R0	HINGE COVER BALL GATE	1	
	01D	SNJ JN A014b	BALL GATE ASSY MECHANISM	1 SET	
	PART ITEM	01D1	SNJ JN-SA-13-R0	BALL GATE BRACKET ASSY	1
		01D2	SNJ JN-FM-22-R0	CLAMP RUBBER	1
		01D3	HM0037	RUBBER BALL GATE	1
		01D4	EA1158	MOTOR 8000 DC 12 V 16 RPM	1
		01D5	SNJ JN-SA-19-R0	BALL GATE FLAP ASSY	1
		01D6	SNJ JN-FM-26-R0	GATE BLOCK	1
01E	SNJ JN-FW-05-R0	BACK PLAYFIELD	1		
	SNJ JN H008	BALL GATE HARNESS	1		
02	SNJ JN-FM-43-R0	TICKET HOLDER	1		
03	BA1602	PCB FB49 8 CHANNEL AC DRIVER	1		
04	SNJ JN-FP-04-R0	PLYFIELD ACRILIC	1		
	AT2966	STICKER ACRYLIC PLAY INSTRUCTION	1		
05	SNJ JN-FM-32-R1	SPEAKER GRILL	1R,1L		
06	HM1605	BASKET BALL NO.3 WITH LOGO LAI	4		
07	SNJ JN-FW-14-R0	PCB BOARD	1		
PART ITEM	07A	BA0029	PCB FB29 STEREO AUDIO AMPLI.	1	
	07B	BAFB52C	PCB FB52C 16 Mhz Z80 SOUND	1	
	07C	BAFB80	PCB FB80 MCU CONTOLLER SNJ	1	
	-	SNJ JN H005	MAIN HARNESS	1	
08	SNJ JN A004	POWER SUPPLY ASSEMBLY	1 SET		
ITEM	08A	EA1015	POWER SUPPLY S-150-12V 12.5Amp	1	
	08B	EA0822	TRANSFORMER MULTI TAP/2x11,5x15A	1	
	08C	SNJ JN-FM-36-R0	TRAFO BRACKET	-	
09	SNJ JN H003	CASH BOX ASSEMBLY	1 SET		
ITEM	09A	SNJ JN-FM-09A-R0	CASH BOX	1	
	09B	SNJ JN-FM-15-R0	HOUSING CASH BOX	1	
10	HA0002	RUBBER MACHINE GLIDDERS	9		
11	SNJ JN E001	SERVICE PANEL ASSEMBLY	1 SET		
PART ITEM	11A	SNJ JN-FM-31-R1	SERVICE BRACKET	1	
	11B	EA0519	SWITCH SMALL ROUND RED BUTTON	1	
	11C	EA0520	SWITCH SMALL ROUND GREEN BUTTON	1	
	11D	EA1252	COIN COUNTER 12V REAR BRACKET	2	
	-	SNJ JN H006	SERVICE PANEL HARNESS	1	
	12	SNJ JN E005	DB BOX ASSEMBLY	1 SET	
PART ITEM	12A	HA0007	METAL DB BOX	1	
	12B	EA1356	BINDING POST	1	
	12C	EA1358	SPLIT CORE EMI FILTER FOR CE	1	
	12D	EA0649	IEC TYPE NOISE EMI FILTER UL	1	
	-	SNJ JN H001	DB BOX HARNESS	1	
	OPTIONAL				
	-	EA0635	POWER LEAD MOLDED IEC TO 3 PIN USA	1	
	-	EA0637	POWER LEAD MOLDED IEC TO 2 PIN INDO	1	
	-	EA0636	POWER LEAD MOLDED IEC TO 3 PIN AU	1	
	-	EA0639	POWER LEAD MOLDED IEC TO 3 PIN UK	1	
13	EA1201	SPEAKER 4" 8Ω 40W	2		
14	EA0523	SWITCH LARGE RED MEGA BUTTON	1		
-	AT2960	ART WORK SLAM N JAM Jr IN SET	1 SET		