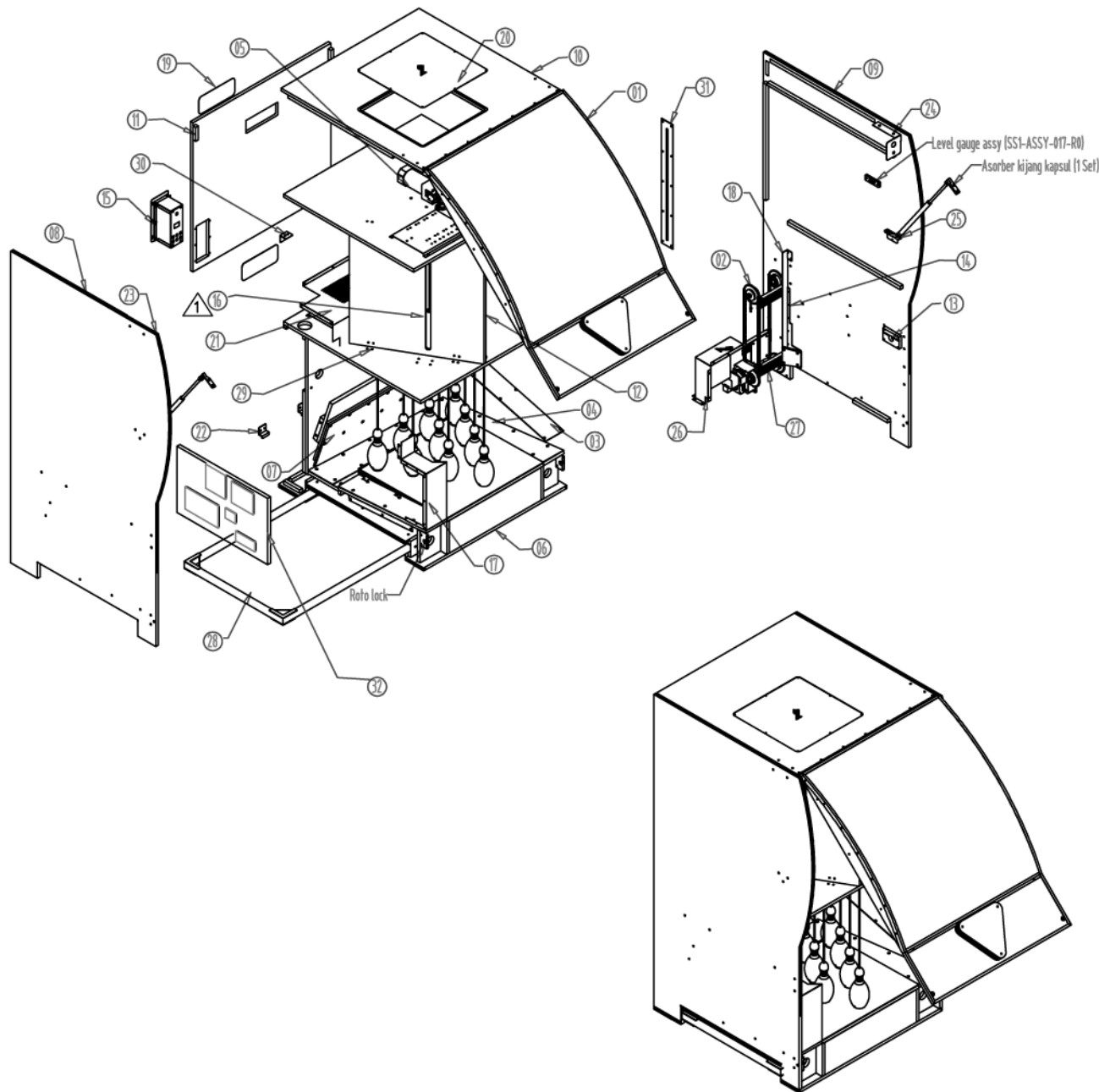


CABINET ASSEMBLY



No	Code	Description	Qty	
01	SS1-ASSY-002-R0	Door assy	1	
02	SS1-ASSY-003-R1	Ball lifter mechanic assy	1	
03	SS1-ASSY-008-R0	Return lane assy	1	
04	SS1-ASSY-010-R0	Pin locking assy	1	
05	SS1-ASSY-011-R0	Pin lifter mechanic assy	1	
06	SS1-ASSY-019-R2	Base cabinet assy	1	
07	SS1-ASSY-020-R1	Base ball reflection assy	1	
08	SS1-FW-001-R2	Right wall	1	
09	SS1-FW-002-R2	Left wall	1	
10	SS1-FW-003-R0	Top wall	1	
11	SS1-FW-004-R0	Back top wall	1	
12	SS1-FW-010-R0	Pin lifter slider	1	
13	SS1-FW-023-R0	Base lamp A	2	
14	SS1-FW-067-R0	Support base ball reflection	2	
15	SS1-SA-004-R0	DB-Box standart set	1	
16	SS1-FM-045-R1	Sensor guide	1	
17	SS1-FM-030-R0	Ball down return right wall	1	
18	SS1-SA-009-R1	Ball down return back wall subassy	1	
19	SS1-FM-059-R0	Grill A	2	
20	SS1-FM-060-R1	Grill B	1	
21	SS1-FM-058-R1	Mesh power supply	1	
22	SS1-FM-038-R0	Bracket lock 2	2	
23	SS1-FM-047-R0	Bracket top wall right	1	
24	SS1-FM-048-R0	Bracket top wall left	1	
25	SS1-FM-049-R0	Bracket asorber	2	
26	SS1-FM-098-R0	Cover motor ball lifter	1	
27	SS1-FP-023-R0	Ball safe guard 1	1	
28	SS1-ASSY-023-R0	Frame rubber foot cabinet assy	1	
29	SS1-FM-054-R0	Bracket base slider	4	
30	SS1-FM-037-R0	Bracket lock 1	1	
31	SS1-FM-076-R0	Bracket pin lifting slider	1	
32	-	Base Pcb	1	
	32A	-	CPU	1
	32B	-	Pin lock PCB	1
	32C	-	PCB IO	1
	32D	-	PCB Ticket Interface	1
	32E	-	PCB Watch Dog	1