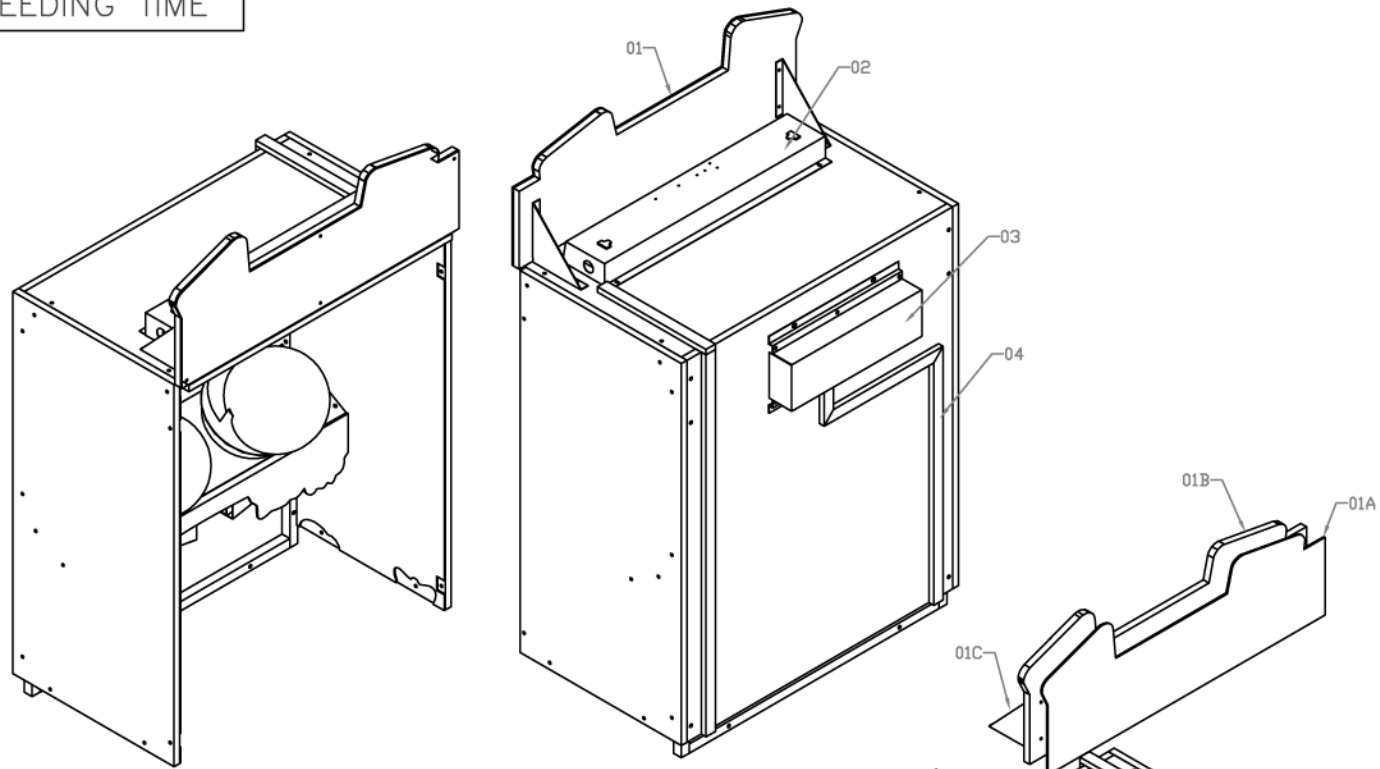
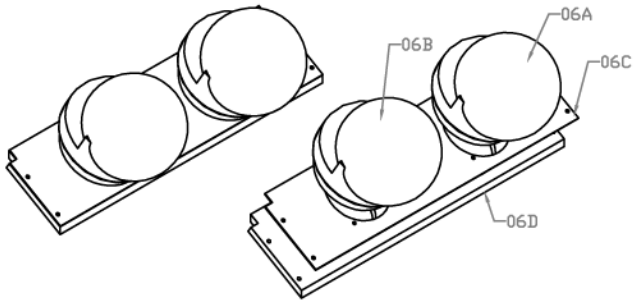


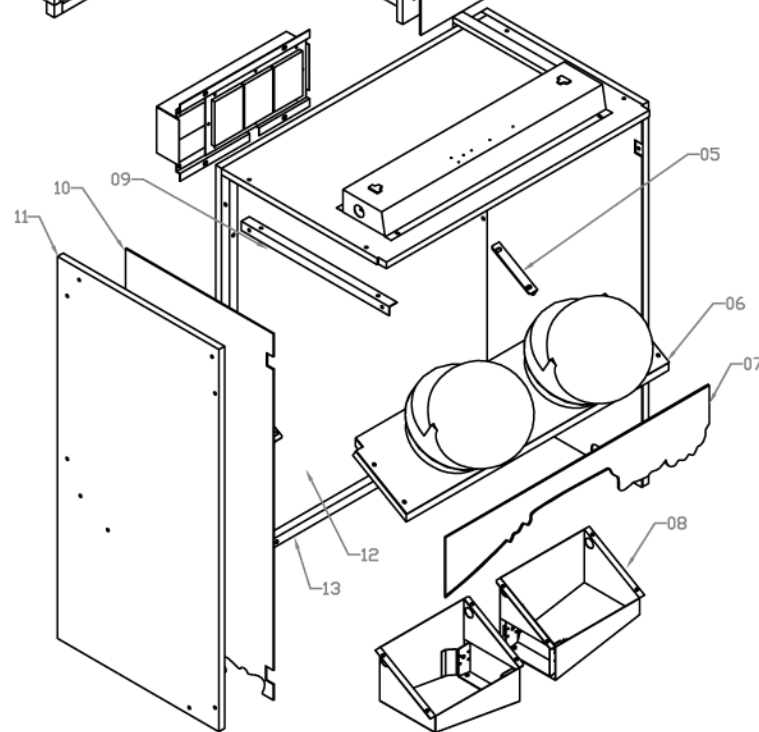
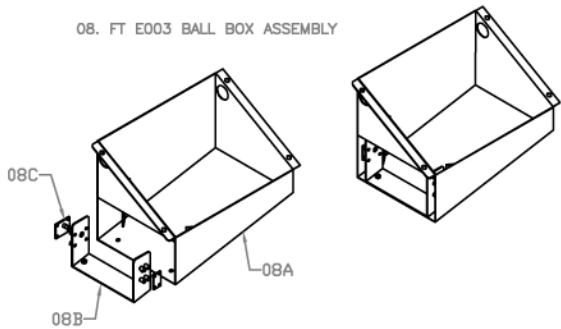
# FEEDING TIME



06. FT A002 UPPER TARGET ASSEMBLY



08. FT E003 BALL BOX ASSEMBLY



NO	CODE	DESCRIPTION	QTY
01	FT A001	HEADER ASSEMBLY FEEDING TIME	1
01A	AT3411	ACRILLIC HEADER	1
01B	FT1-FW-021-R0	HEADER PANEL	1
01C	FT1-FM-024-R0	HEADER BARCKET	1R,1L
02	FT E001	HEADER LIGHT ASSEMBLY	1
02A	FT1-SA-021-R3	TOP LIGHT COVER	1
02B	EA0206	LAMPU NEON 18W COOL WHITE	1
02C	EA0325	LAMPU NEON BALLAST CE 240Volt 15/18/20W	1
02D	EA0311	LAMPU STARTER BASE FSB-003 UL Listed	1
02E	EPO434	LAMP NEON END CAP HOLDER MODEL 713-HS	2
03	FT E002	DISPLAY ASSEMBLY	1
03A	BA1601	PCB FB45a 3 Digit 7 SEGMENT 4" DISPLAY	1
03B	FT1-FM-041-R1	DISPLAY BRACKET	1
04	HP0011	CABLE TRAY	1
05	FT1-FM-043-R1	SUPPORT BRACKET UPPER	2
06	FT A002	UPPER TARGET ASSEMBLY	1
06A	HM2524	FIBER GLASS MOULDING "GORILA"	1
06B	HM2525	FIBER GLASS MOULDING "PELICAN"	1
06C	FT1-FP-010-R1	ANIMAL BASE ACRILLIC UPPER	1
06D	FT1-FP-020-R3	ANIMAL BASE PANEL UPPER	1
-	EA0302	LAMP HOLDER SC BAYONET 14-152F	4
-	EA0232	LAMP SC BAYONET GE 89 (BA 153618)13v 0.58A	4
07	AT3417	BACKGROUND ACRILLIC	1
08	FT E003	BALL BOX ASSEMBLY	1
08A	FT1-SA-046-R1	BALL BOX METAL ONLY	1R,1L
08B	FT1-FM-043-R1	SENSOR BRACKET UPPER	2
08C	BAFB84a-b	PCB FB84a-b SENSOR BALL	2
09	FT1-FM-016-R0	L FRAME CABINET	1R,1L
10	-	SIDE ACRILLIC	1R,1L
10A	AT3412	ACRILLIC INTERNAL ARTWORK LEFT	1
10B	AT3413	ACRILLIC INTERNAL ARTWORK RIGHT	1
11	FT A004	SIDE PANEL UPPER WITH STICKER	1R,1L
11A	AT3420	STICKER LEFT SIDE A TOP PANEL	1
11B	AT3421	STICKER RIGHT SIDE A TOP PANEL	1
12	AT3414	ACRILLIC INTERNAL ARTWORK MID BACKGROUND	1
13	FT1-SA-018-R1	BACKFRAME ASSY	1