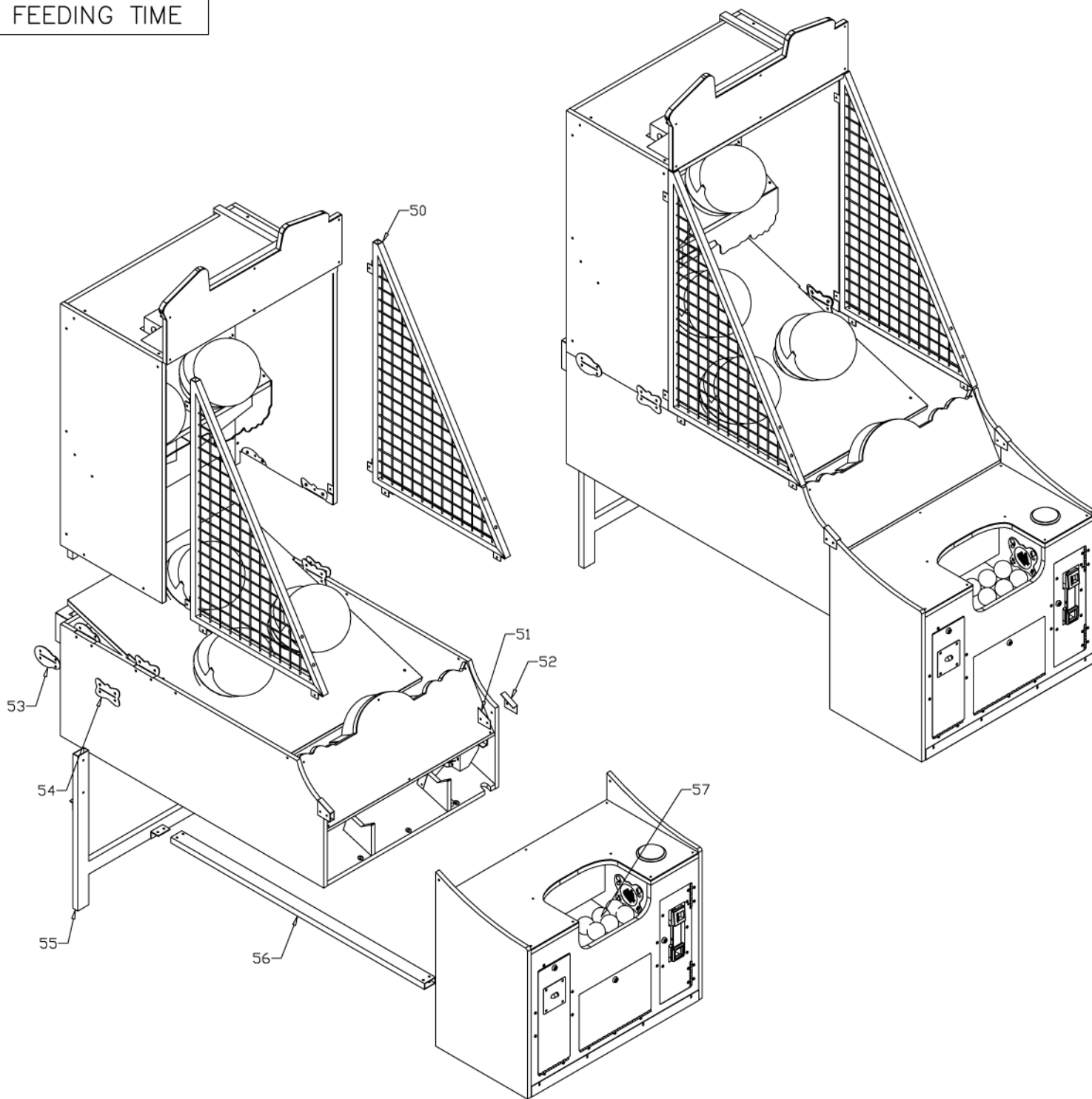


# FEEDING TIME



NO	CODE	DESCRIPTION	QTY
50	FT1-SA-014-R0	SIDE MESH	1R,1L
51	FT1-FM-027-R0	JOINT BRACKET INNER	1
52	FT1-FM-028-R0	JOINT BRACKET OUTER	1R,1L
53	FT1-FM-019-R1	SIDE BRACKET WITH STICKER	4
54	FT1-FM-020-R1	BUTTERFLY BRACKET WITH STICKER	4
55	FT1-SA-013-R0	STAND CABINET	1
56	FT1-FM-051-R0	STAND CABINET REINFORCE	1
57	HP0012	PLASTIC BALL DIA 65 mm	10