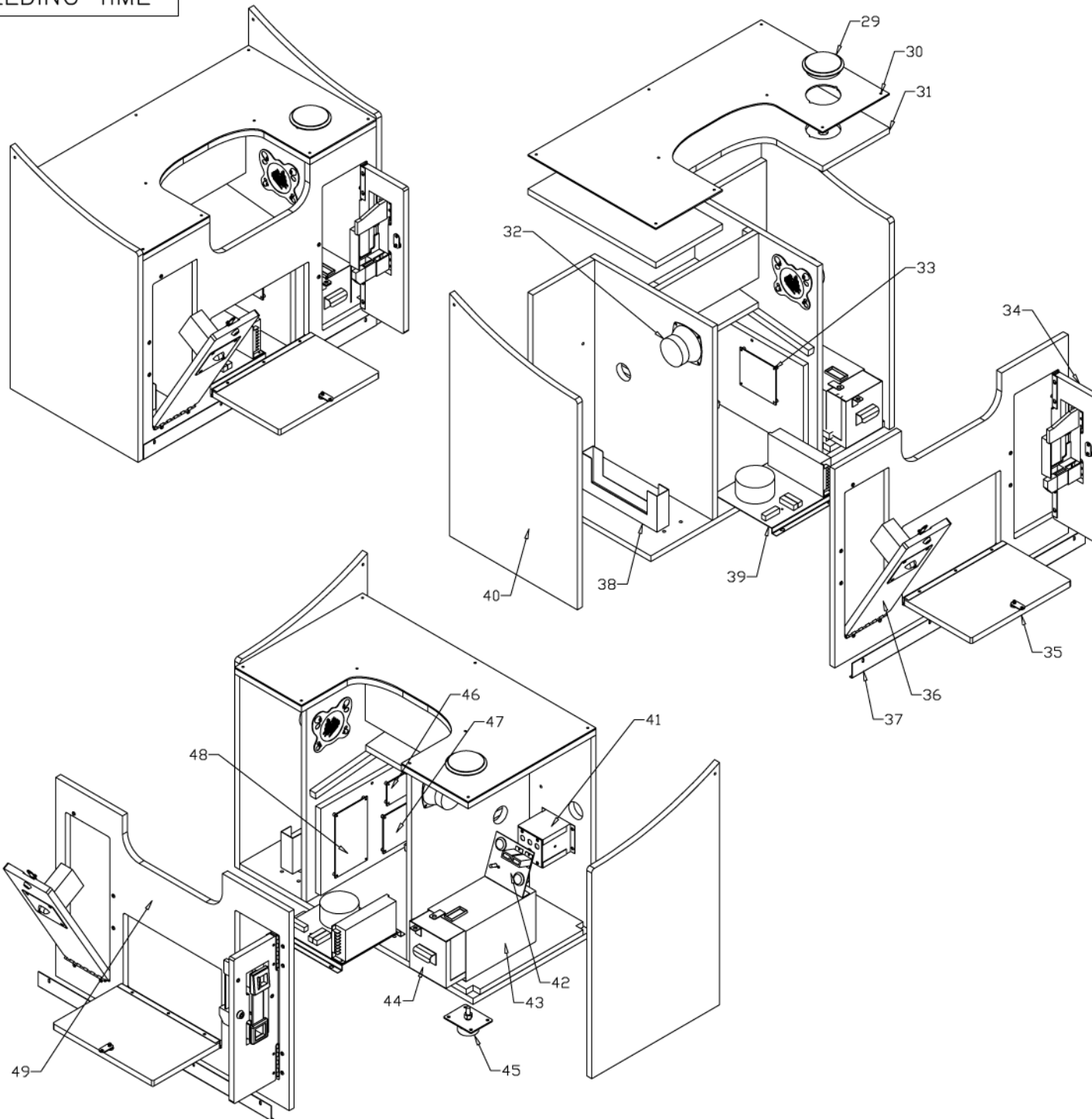


FEEDING TIME



NO	CODE	DESCRIPTION	QTY
29	EA0523	SWITCH LARGE RED MEGA BUTTON	1
30	AT3419	ACRILLIC PANEL PLAYER INSTRUCTION	1
31	FT1-FW-008-R1	UPPER PANEL FRONT	1
32	FT A007	SPEAKER ASSEMBLY	2
32A	EA1201	SPEAKER 4" 8 Ohm 40W	2
32B	FT1-FM-30A-R1	SPEAKER COVER	2
32C	FT1-FM-30B-R1	SPEAKER GRILL	2
33	BAFB71	PCB FB71 16-WAY AC DRIVER	1
34	FT A008	COINDOOR ASSEMBLY	1
34A	FT1-FW-012-R0	COINDOOR PANEL	1
34B	FT1-M-001-R1	COINDOOR HINGE LOWER	1
34C	FT1-M-004-R1	COINDOOR HINGE UPPER	1
34D	FT1-FM-033-R0	COINDOOR PLATE	1
34E	HM0004	LOCK ANGLE	1
34F	HA0014	COIN MECHANISM HOLDER	1
35	FT A009	DOOR ACCES ASSEMBLY	1
35A	FT1-FW-011-R0	DOOR ACCES PANEL	1
35B	FT1-M-003-R1	DOOR ACCES HINGE	1
35C	HM0004	LOCK ANGLE	1
36	FT A010	POWER ASSEMBLY	1
36A	FT1-FW-013-R2	TICKET DOOR PANEL	1
36B	FT1-M-002-R1	TICKET DOOR HINGE	1
36C	FT1-FM-032-R1	TICKET PLATE	1
36D	HM0004	LOCK ANGLE	1
36E	EA1102	TICKET DISPENCER ENTROPY	1
37	FT1-FM-040-R0	KICK PLATE	1
38	FT1-FM-036-R0	TICKET HOLDER	1
39	FT E006	POWER ASSEMBLY	1
39A	EA0822	TRANSFOMER MULTI TAP / 2 x 11.5 x 15A	1
39B	EA1015	SWITCHING POWER SUPPLY 12V 12.5Amps	1
39C	EA0614	300 VAC / VDC TERMINAL BLOCK 4 Poles 44"	1
39D	EA0016	FUSE 3AG FAST BLOW 10A	2
39E	EA0042	FUSE BLOK FOR 1/4" Dia X1-1/4" L	2
39F	FT1-FM-039-R0	TRAFD BRACKET METAL ONLY	1
-	FT H001	POWER HARNESS	1
40	FT1-FM-029-R1	TICKER SIDE CABINET	1R,1L
40A	AT3424	STICKER LEFT SIDE C CABINET	1
40B	AT3425	STICKER RIGHT SIDE C CABINET	1
41	FT E007	DB BOX ASSEMBLY	1
-	FT E007a	DB BOX METAL ONLY	1
-	EA1356	BINDING POST	1
-	EA1358	SPLIT CORE EMI FILTER FOR CE MACHINE	1
-	EA0649	IEC TYPE NOISE EMI FILTER	1
-	FT H002	DB BOX HARNESS	1
-	EA0635	POWER LEAD MOLDED IEC TO 3 PIN USA	1
-	EA0636	POWER LEAD MOLDED IEC TO 2 PIN INDO	1
-	EA0637	POWER LEAD MOLDED IEC TO 3 PIN AU	1
-	EA0639	POWER LEAD MOLDED IEC TO 3 PIN UK	1
42	FT E008	SERVICE PANEL ASSEMBLY	1
42A	FT1-FM-042-R1	SERVICE PANEL METAL ONLY	1
42B	EA0519	SWITCH SMALL ROUND RED BUTTON	1
42C	EA0520	SWITCH SMALL ROUND GREEN BUTTON	1
42D	EA1252	COIN COUNTER 12V REAR MOUNTING	2
42E	EED689	POTENSIO CARBON DUAL GANG 50KOhm	1
42F	EPO602	KNOB VOLUME	1
-	FT H003	SERVICE PANEL HARNESS	1
43	FT1-SA-002-R0	HOUSING CASHBOX	1
44	FT1-SA-001-R0	CASHBOX	1
45	HM0002	RUBBER MACHINE GLIDE	3
46	BAFB52C	PCB FB52C 16 Mhz Z80 SOUND BOARD	1
47	BA0029	PCB FB29 STEREO AUDIO AMPLIFIER	1
48	BAFB66A	PCB FB66A MPU CONTROLLER BBB LH	1
49	FT A012	FRONT PANEL LOWER WITH STICKER	1
49A	AT3426	STICKER BASE ARTWORK	1
-	FT H004	MAIN HARNESS FRONT PANEL	1